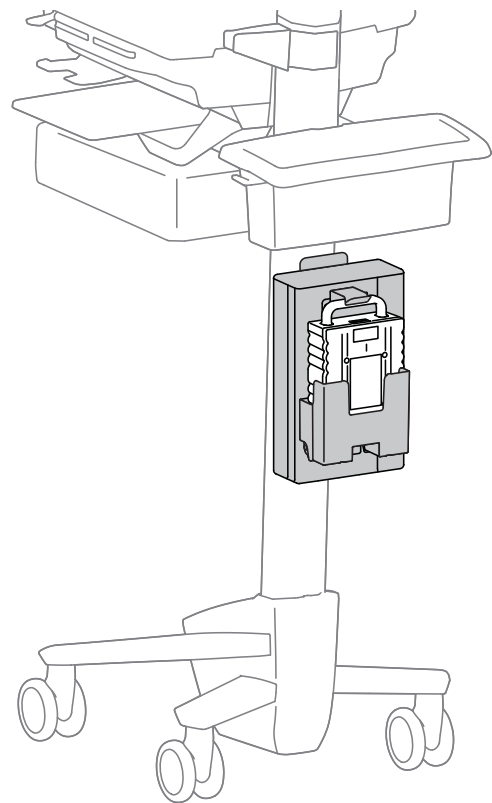
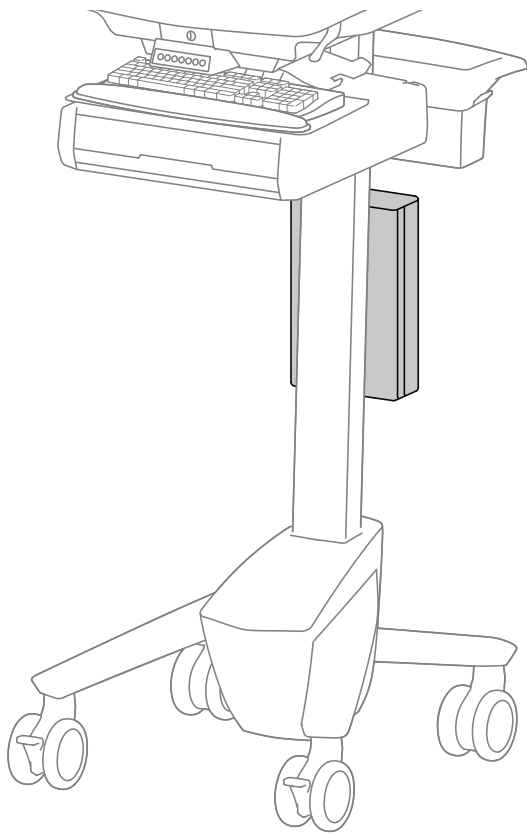


ergotron®

StyleView LiFe Power Upgrade System 330Wh LiFe battery



The StyleView LiFe Power Upgrade System is intended to provide AC power to support AC powered computer equipment.

This installation manual is only for installation onto an Ergotron cart. For power system information, please see provided operations manual.

English



For the latest User Installation Guide please visit: www.ergotron.com


English, Español, Français, Deutsch, Nederlands, Italiano, Svenska, 日本語, 汉语


www.ergotron.com | USA: 1-800-888-8458 | Europe: +31 (0)33-45 45 600 | China: 400-120-3051 | Japan: japansupport@ergotron.com


Safety

This installation manual is only for installation onto an Ergotron cart. For power system information, please see provided operations manual.


- Power will be lost when battery is removed unless power module is plugged into AC wall power.
- When not using the battery for long periods, battery should be fully charged before storage and charged regularly during storage.


 WARNING: DO NOT charge battery with any other charger.


 WARNING: For low voltage recovery, disconnect all power inputs and outputs (cables and battery), wait 30 seconds, then reconnect all inputs and outputs.


 WARNING: Keep battery cool or at room temperature:


- Charging Temperature: 0°C - 40°C (32°F - 113°F)
- Discharge Temperature: -10°C - 40°C (14°F - 104°F)
- Storage Temperature: -50°C - 65°C (-58°F - 149°F)


 WARNING: Never attempt to open or service the battery.


 WARNING: DO NOT drop, puncture or crush battery or expose to water.

 WARNING: DO NOT use battery if physical damage is evident.

 To avoid risk of electric shock, do not expose electrical components to water, cleaning solutions or other potentially corrosive liquids or substances.

 Cables - Keep cables neatly organized on the Cart (a variety of solutions are provided with your cart for this purpose). Excess cables should be routed away from moving components with cable clips. Review Cable Routing section of this guide, or contact Ergotron Customer Care for more information.

 Customer Equipment- Make sure equipment is balanced and mounted securely to Cart. Do not reposition Cart components on riser or tower unless instructed to do so in the installation instructions. Moving Cart components too high or too low on the Riser may create an unstable condition, leading to equipment damage or even personal injury. Contact Ergotron Customer Care for information about moving Cart components.

 WARNING: In rare cases, if the power system and battery protection features fail, the battery may become overcharged and in some instances it may become extremely hot, possibly melting the plastics and releasing smoke. If a battery begins to smoke or melt:

- Unplug the cart, or if possible disconnect the battery from the power system immediately.
 - Move the cart to a well ventilated area.
 - Use a Carbon Dioxide, Dry Chemical or appropriate foam fire extinguisher to spray the hot battery.
- If a fire extinguisher is not available, use copious amounts of water, or cover the battery with sand.

If exposed to battery contents seek immediate medical attention and follow the below guidelines.

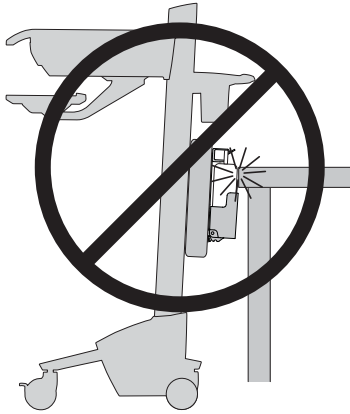
Exposure to vapor released from the battery is irritating to the eyes, skin, mucous membranes and respiratory tract. This may cause nausea, dizziness and headache.

In case of direct contact to the battery's electrolyte:

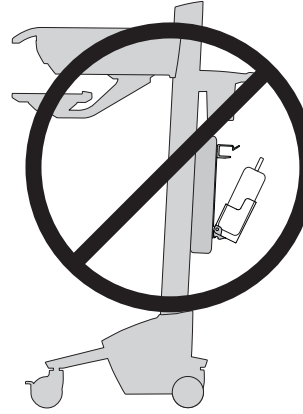
- Immediately flush eyes with water for at least 15 minutes.
- Thoroughly rinse hands and other affected areas with water.
- Promptly remove and wash any contaminated clothing.

In All Cases, Seek Immediate Medical Attention!

Safety

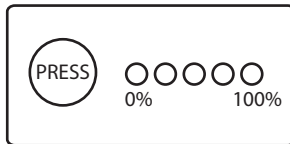
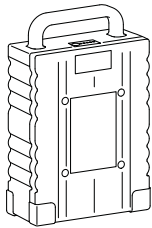


CAUTION!
Do not let battery bump into anything. Failure to follow these instructions may cause equipment damage.



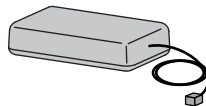
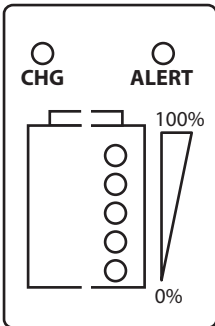
CAUTION!
Do not move cart while battery is unlatched to harness. Make sure battery is fully secure in the bottom of the harness as well as attached securely at the top. Failure to follow these instructions may cause equipment damage.

! WARNING! Connecting electrical equipment to the outlet effectively leads to creating a medical system and the result can be a reduced level of safety.



Battery Display:

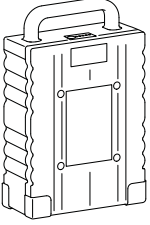
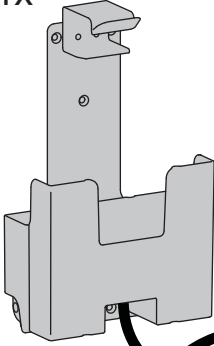
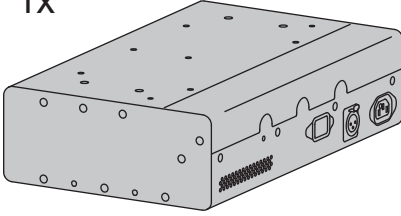
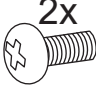

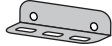




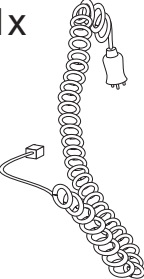

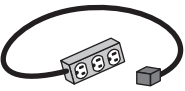
- Press the "PRESS" button on the battery to display the percentage of usable energy remaining.
- 1 amber LED and 4 Green LEDs represent that battery is fully charged, 100%.
- 1 flashing amber LED indicates that less than 10% of the battery's capacity remains. The battery is then ready to be replaced with a charged battery or charged by plugging the power cord into an AC wall outlet.



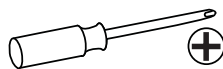
SOCI (State of Charge Indicator): Display:

- 1 amber LED and 4 Green LEDs represent that battery is fully charged, 100%.
- 1 flashing amber LED indicates that less than 10% of the battery's capacity remains. The battery is then ready to be replaced with a charged battery or charged by plugging the power cord into an AC wall outlet.

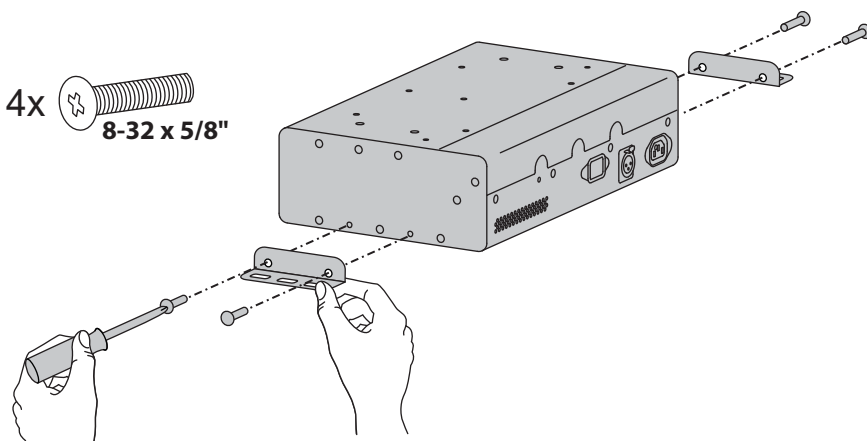
Components

	A	B	C	D	E	F
1	1x 	1x 	1x 		2x  M5 x 10mm	4x  8-32 x 5/8"
2	2x 		2x 	1x  1x 	1x 	4x  8-32 x 3/8" 1x 

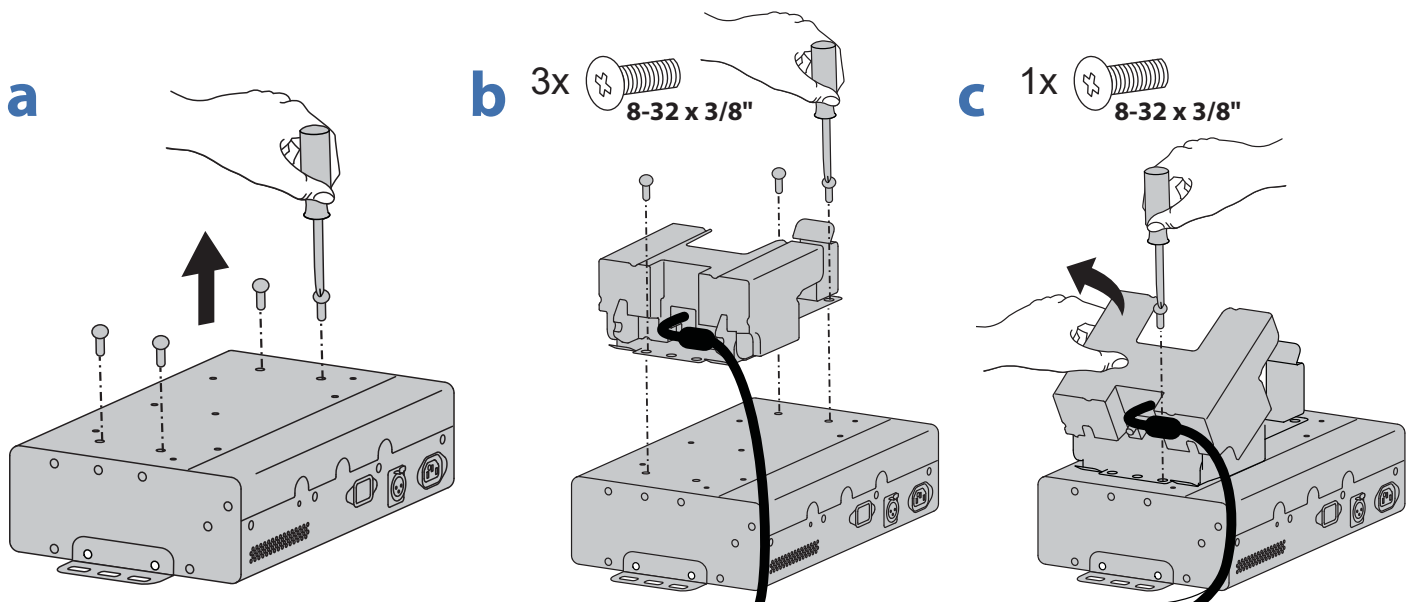
Tools Needed



1 Attach mounting brackets to power module.



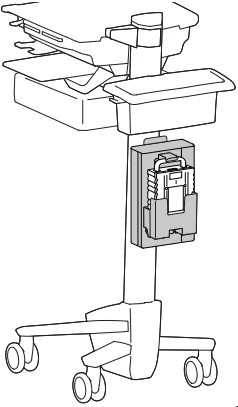
2 a. Remove these four screws from the power module.
b. Attach battery holder to power module.



3 Attach power module to cart.

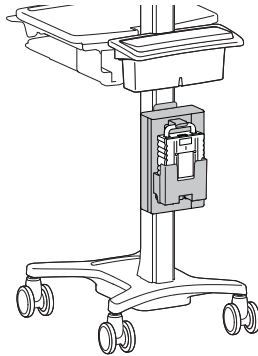
CART ATTACHMENT OPTIONS

SV40/SV41 CART



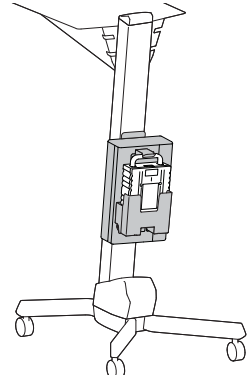
CART WITH DUAL T-SLOTS ON REAR OF CART: SV31 NEO-FLEX WIDEVIEW WORKFIT C

Double T-slot bracket - sold separately

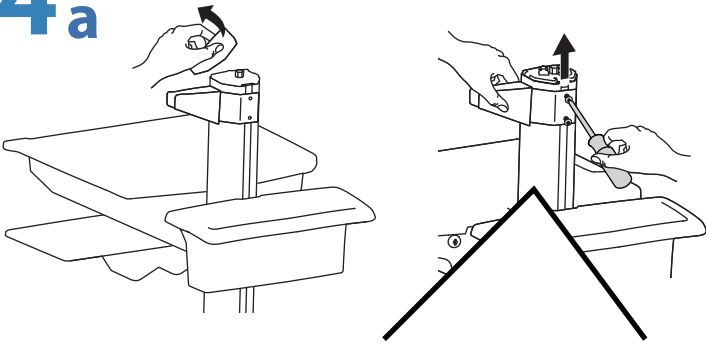


NEO-FLEX CART

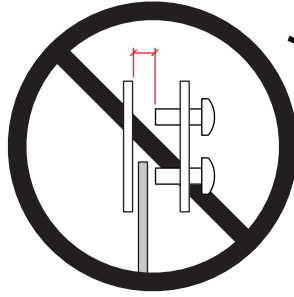
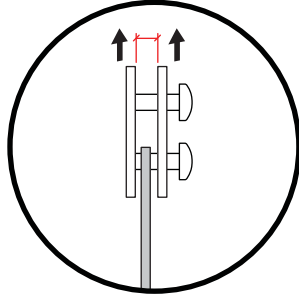
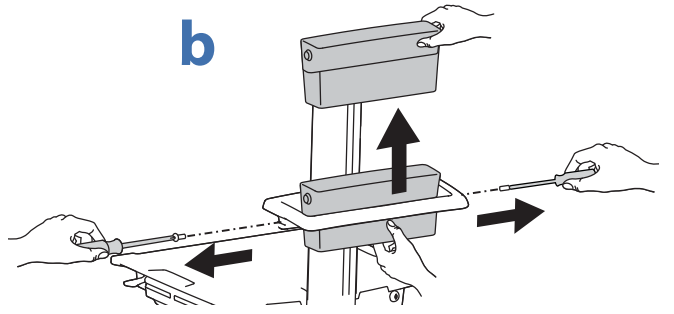
*Mounting brackets
sold separately*



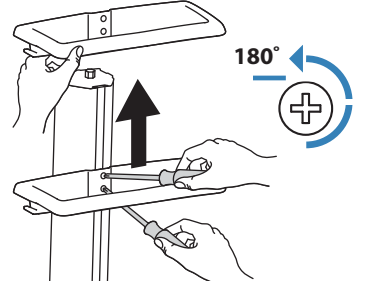
4a



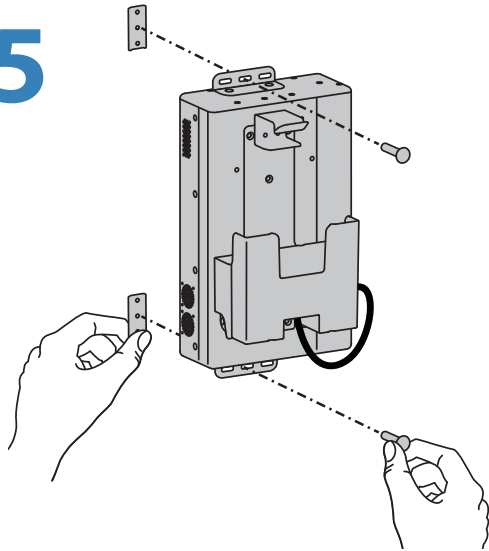
b



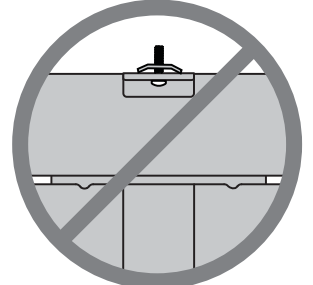
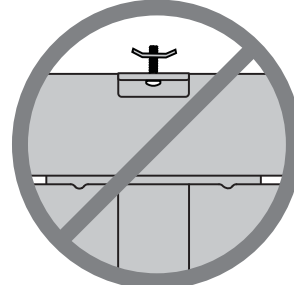
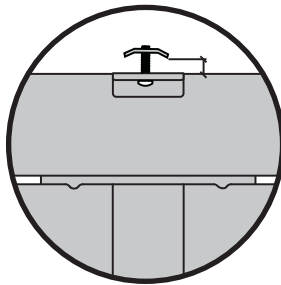
c



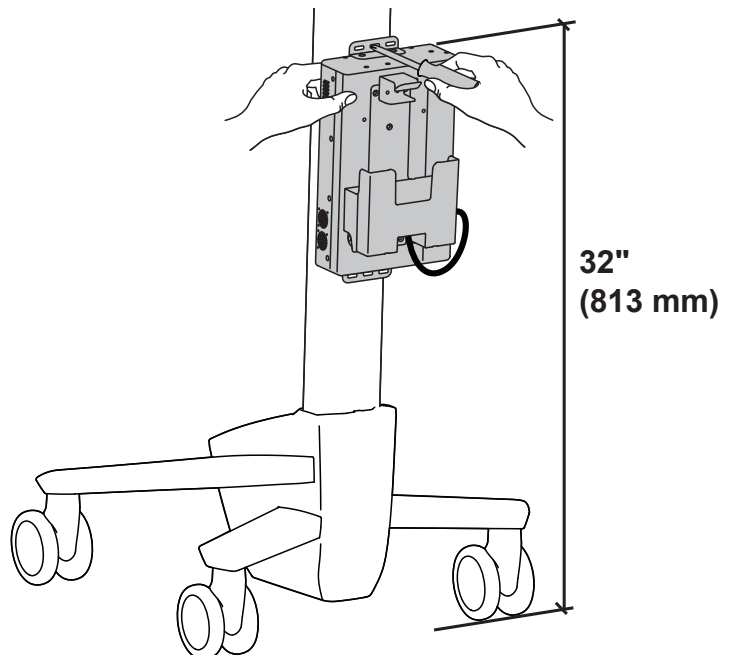
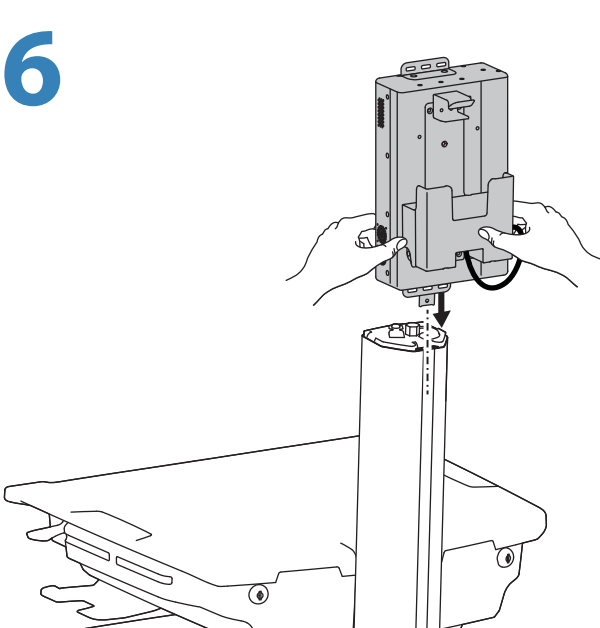
5



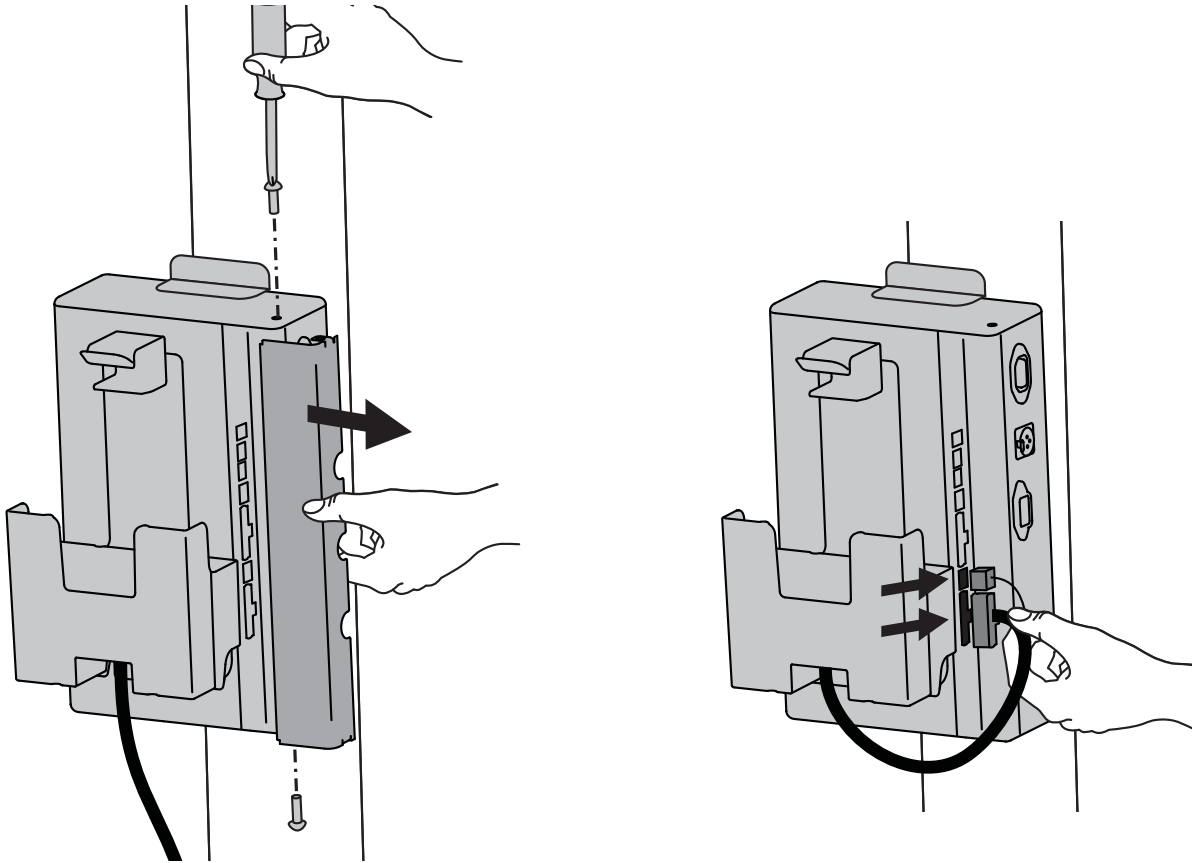
2x  M5 x 10mm



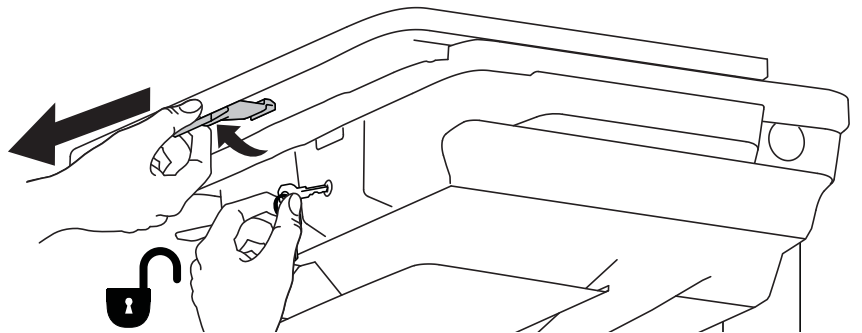
6



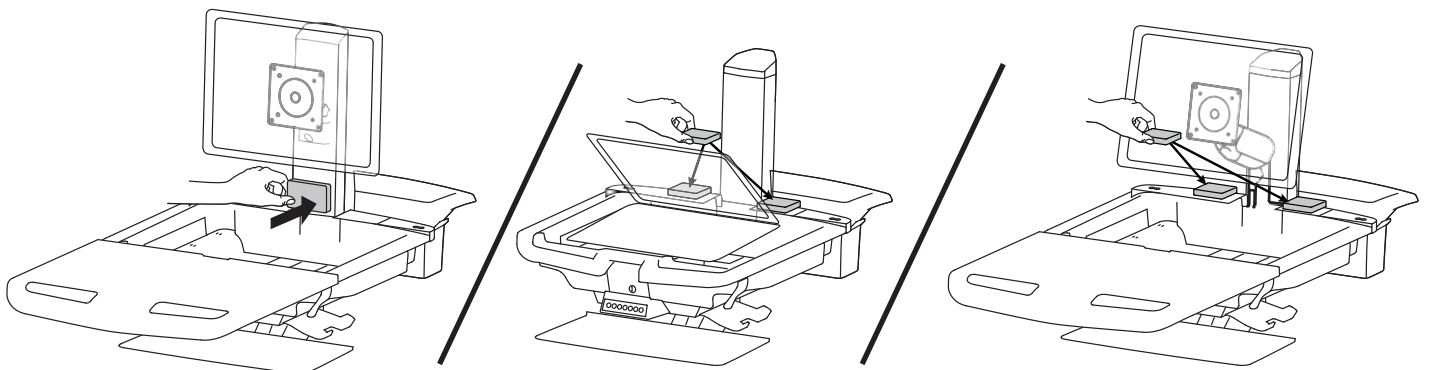
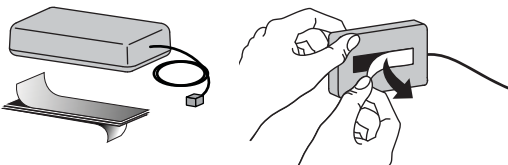
- 7** Remove power module cover and plug power and comm cables into BATTERY 1 POWER and COMM ports on the power module.



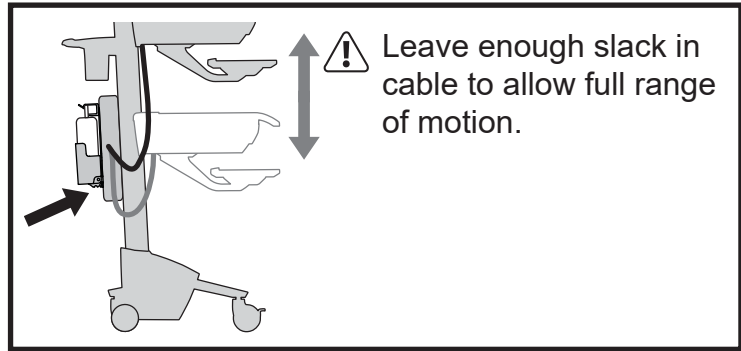
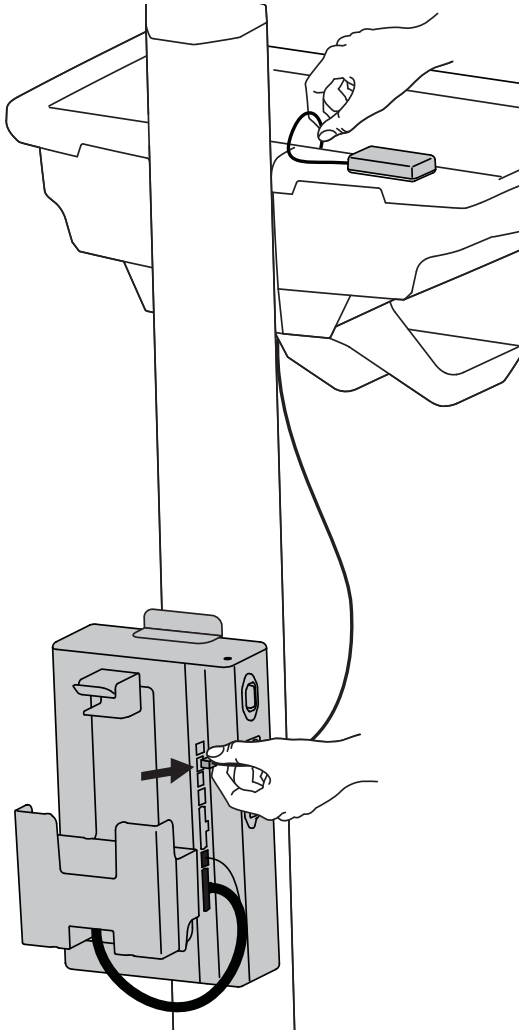
- 8** Open worksurface.



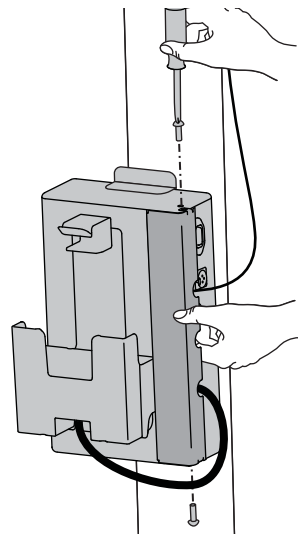
- 9 a** Attach SOCI to worksurface as shown for each configuration.



b Route SOCI cable down through bottom of enclosure and plug into power module.

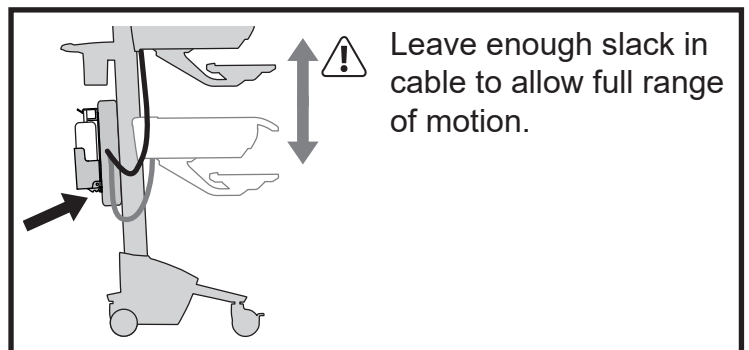
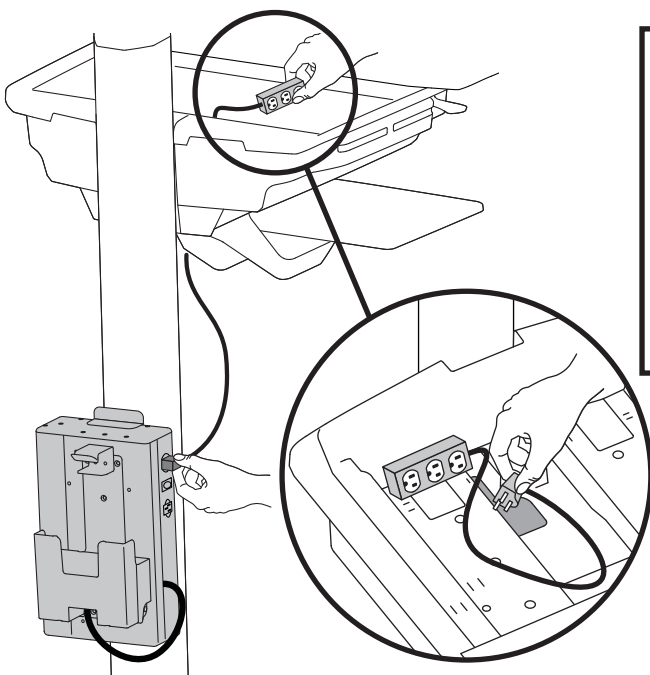


c Replace power module cover.



10 Route power strip from inside enclosure down to power module.

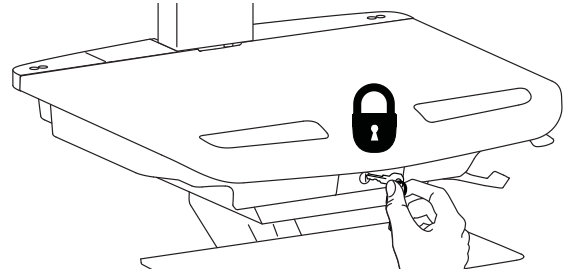
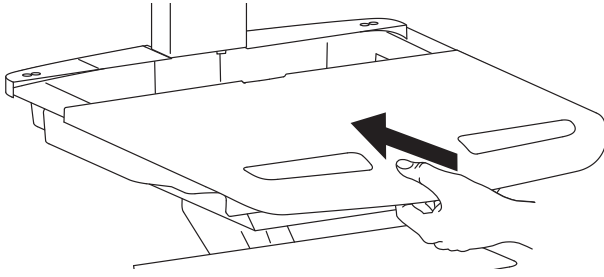
Power strip should be used to plug your equipment into.



! **WARNING!** Connecting electrical equipment to the outlet effectively leads to creating a medical system and the result can be a reduced level of safety.

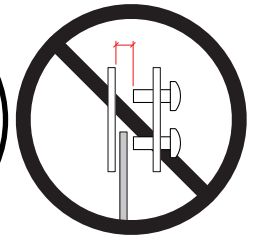
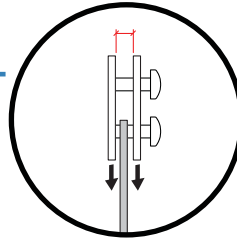
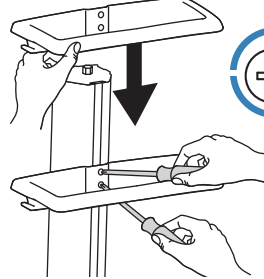
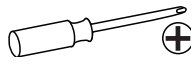
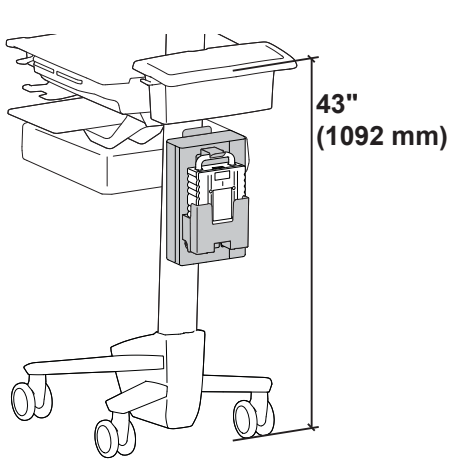
11

Close worksurface.

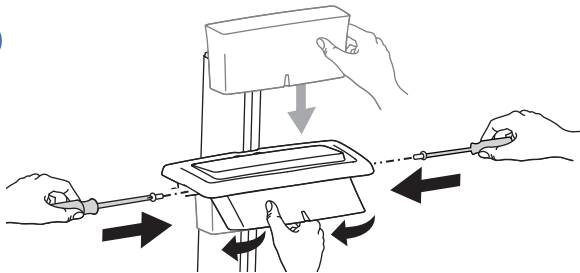


12

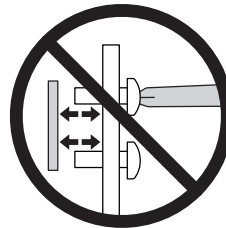
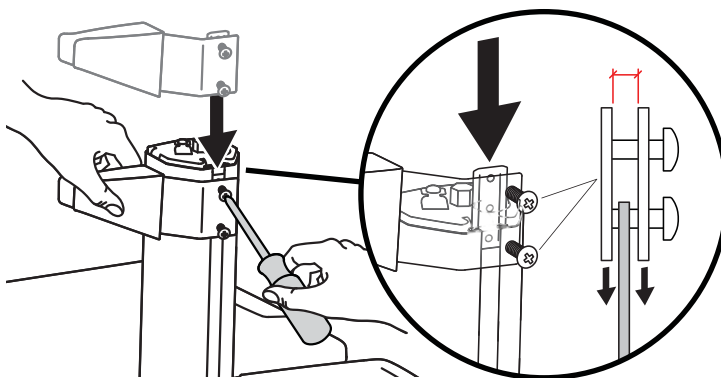
a



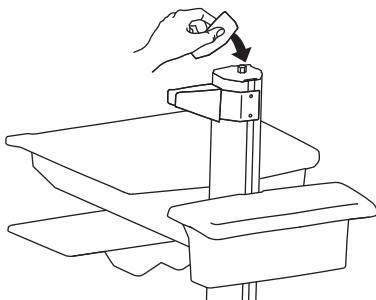
b



c



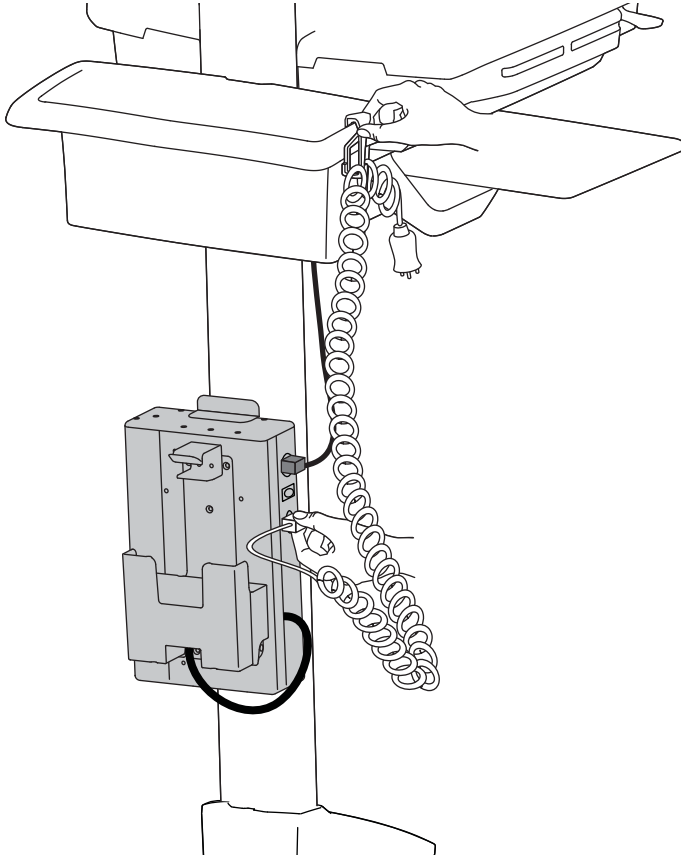
d



13

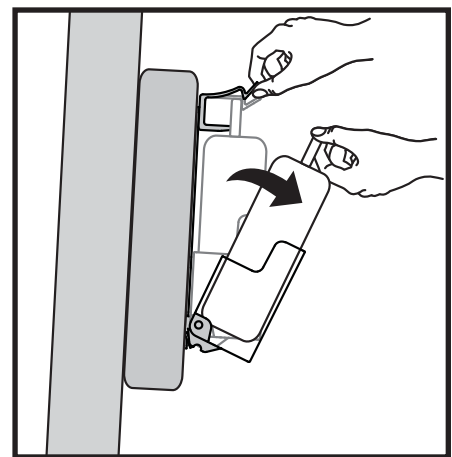
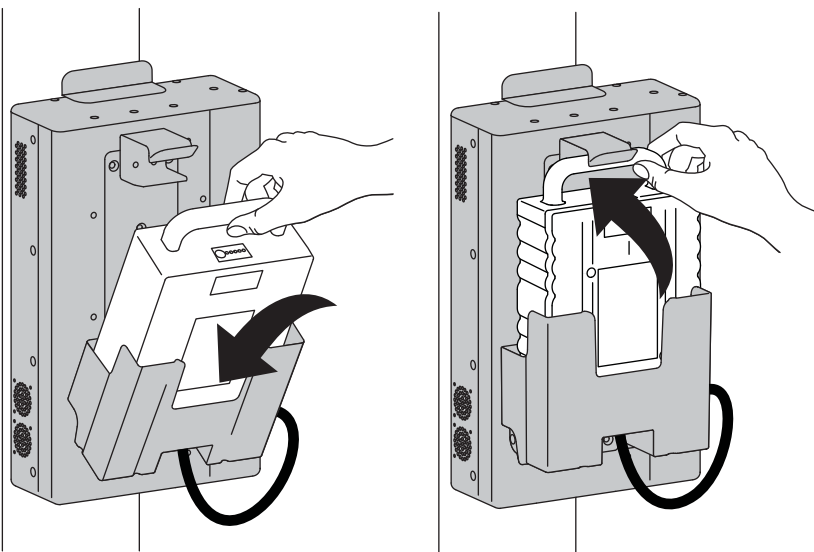
Attach the coiled power cord to the power module and hang cord on rear handle.

Plug coiled cord into wall outlet to charge battery.



14

BATTERY ATTACHMENT/REMOVAL



Battery Removal

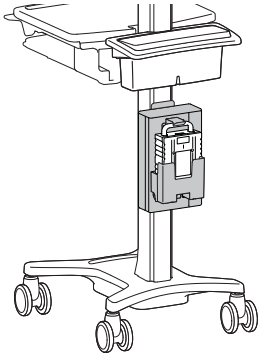
END OF INSTALLATION

CARTS WITH DUAL T-SLOTS ON REAR OF CART:

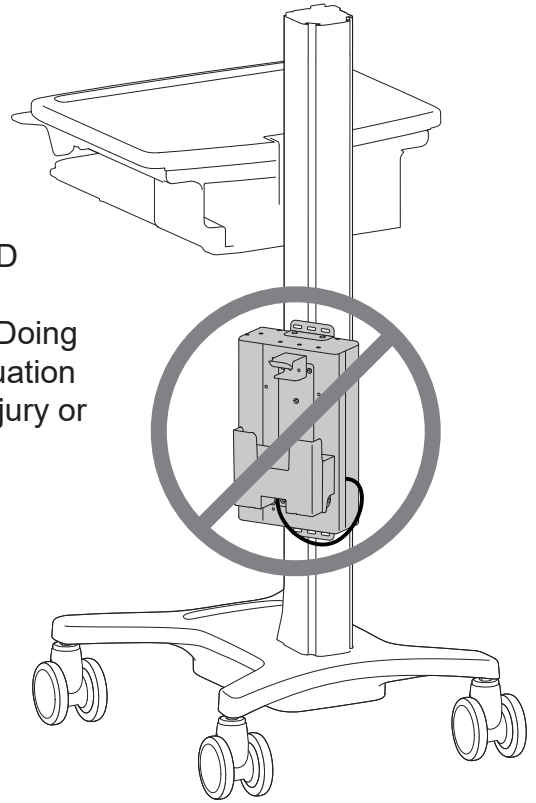
SV31

NEO-FLEX WIDEVIEW

WORKFIT C



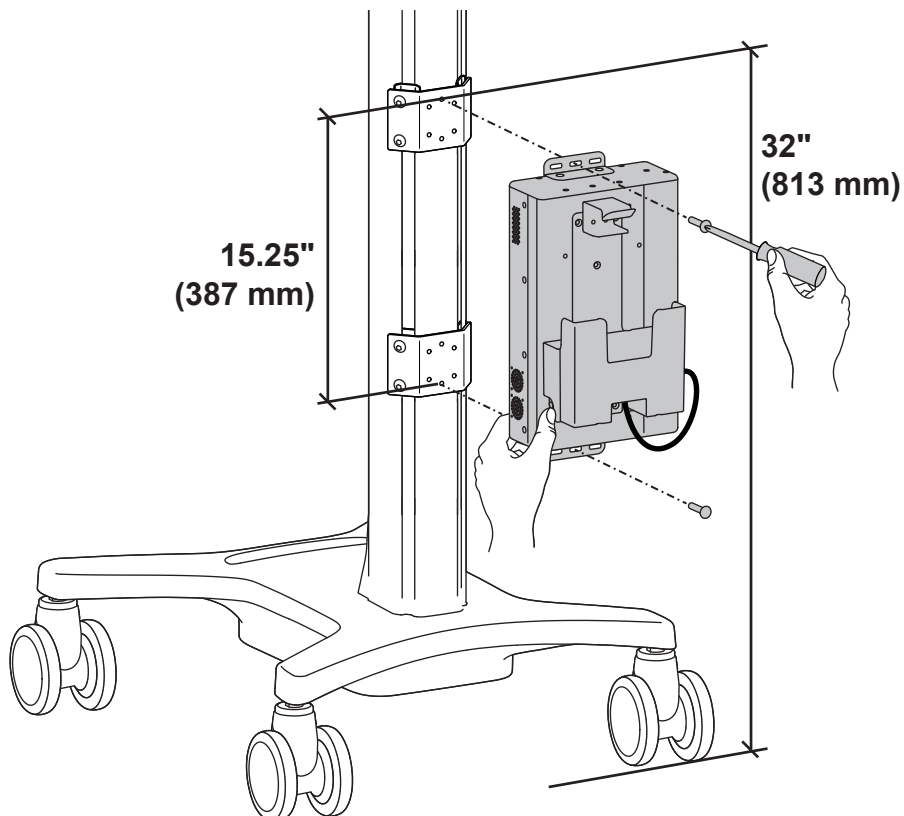
CAUTION: TIPPING HAZARD
DO NOT mount off-center
on either rear corner of cart. Doing
so will create an unstable situation
and may result in personal injury or
equipment damage.



Double T-slot bracket -
ordered separately
(For center mounting
on back of cart)

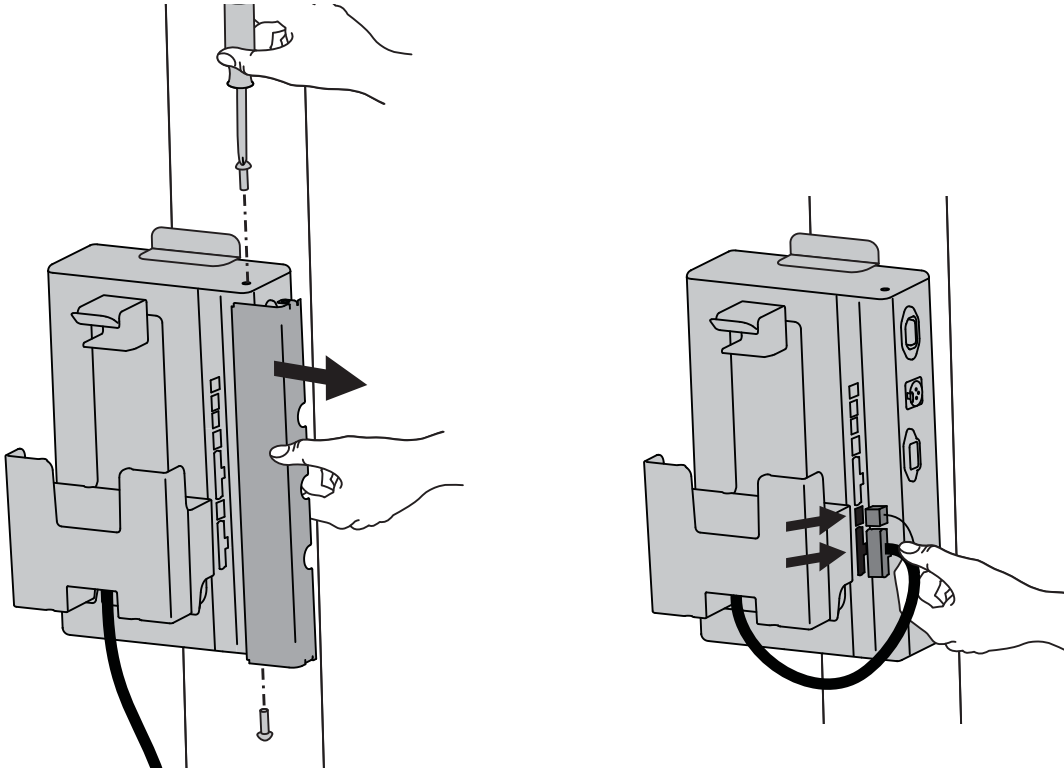
4 Follow instructions provided with the
mounting brackets.

5 Attach power module to mounting brackets.

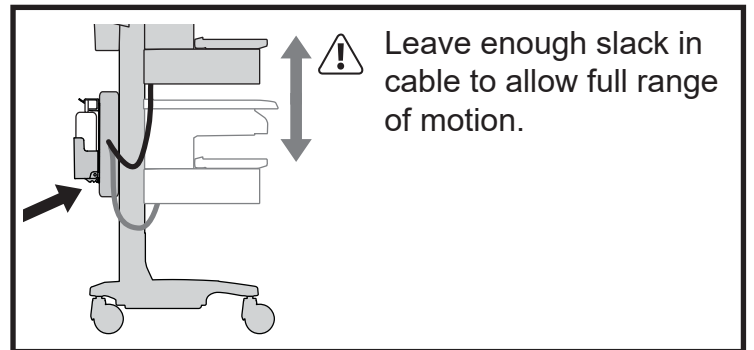
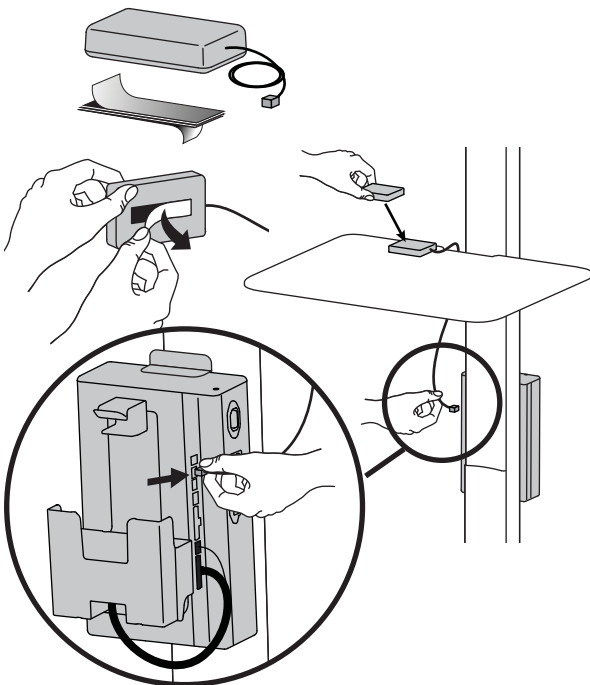


CARTS WITH DUAL T-SLOTS ON REAR OF CART:

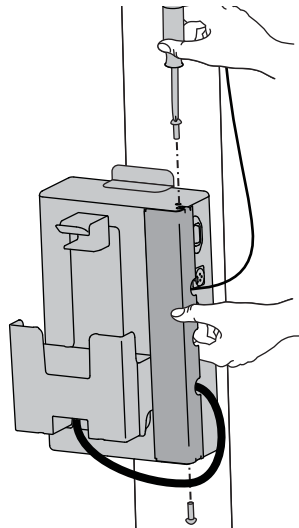
- 6** Remove power module cover and plug in battery cable.



- 7 a** Attach SOCI to worksurface, then route cable down and plug into power module.



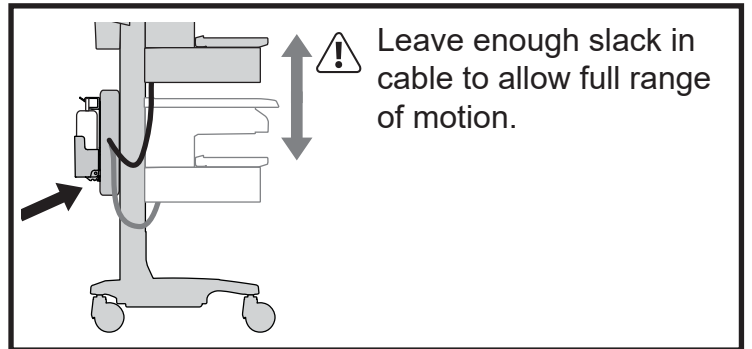
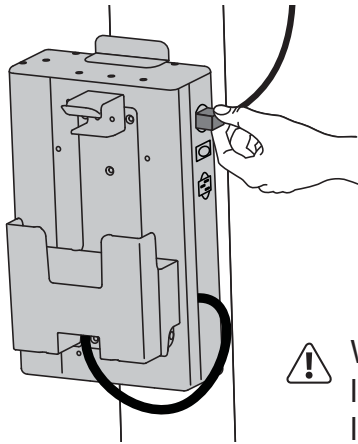
- b** Replace power module cover.



CARTS WITH DUAL T-SLOTS ON REAR OF CART:

8 Attach power strip.

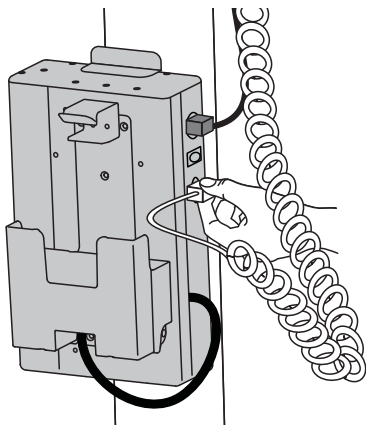
Power strip should be used to plug your equipment into.



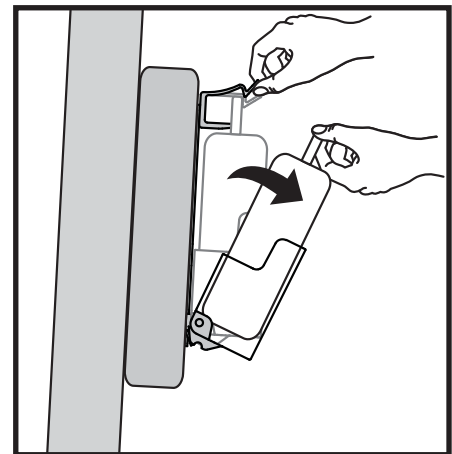
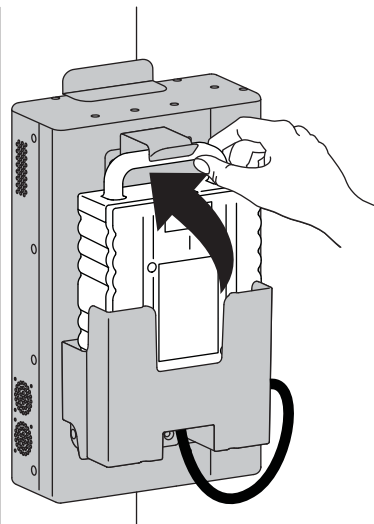
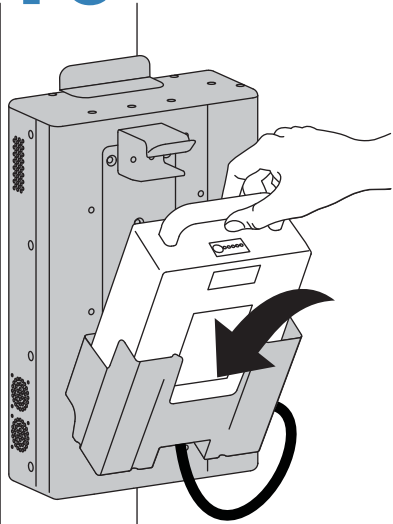
WARNING! Connecting electrical equipment to the outlet effectively leads to creating a medical system and the result can be a reduced level of safety.

9 Attach coiled cord.

Plug coiled cord into wall outlet to charge battery.



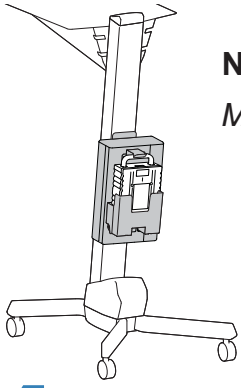
10 BATTERY ATTACHMENT/REMOVAL



Battery Removal

END OF INSTALLATION

NEO-FLEX

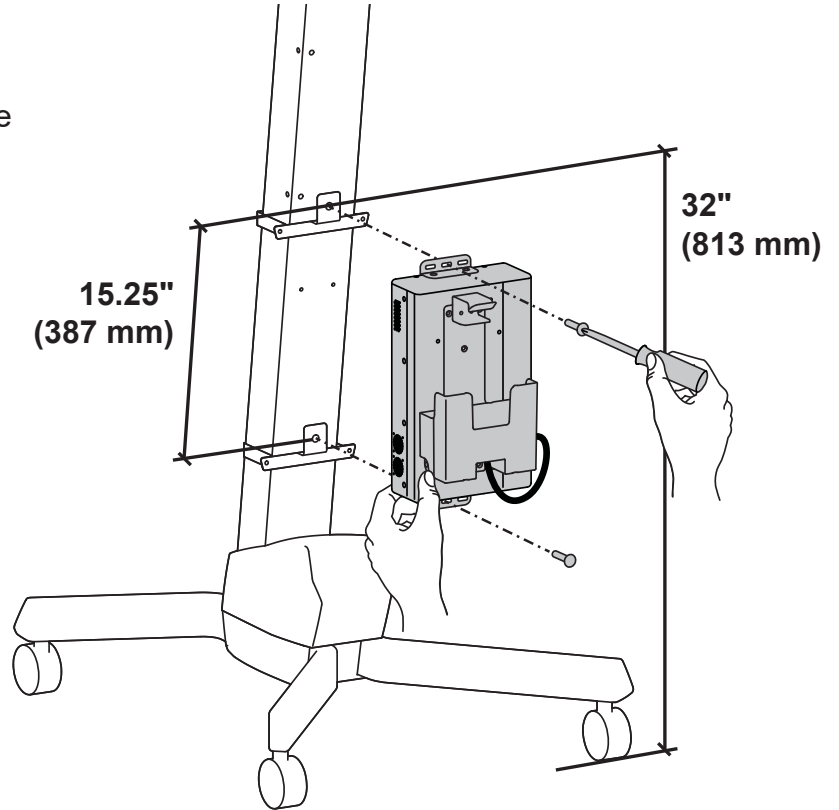


NEO-FLEX

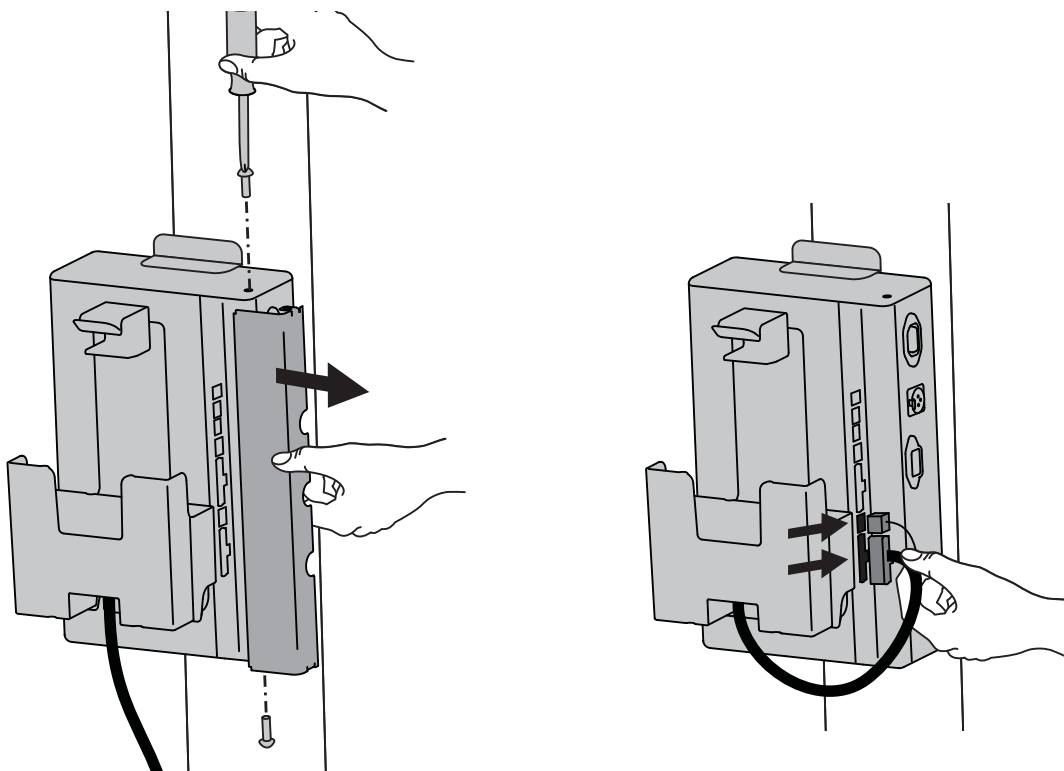
Mounting brackets ordered separately

4 Follow instructions provided with the mounting brackets.

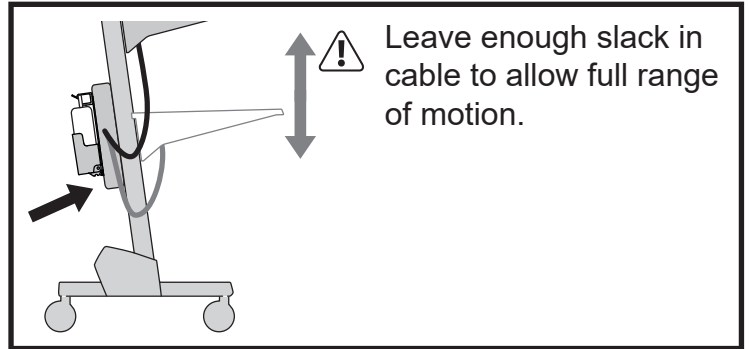
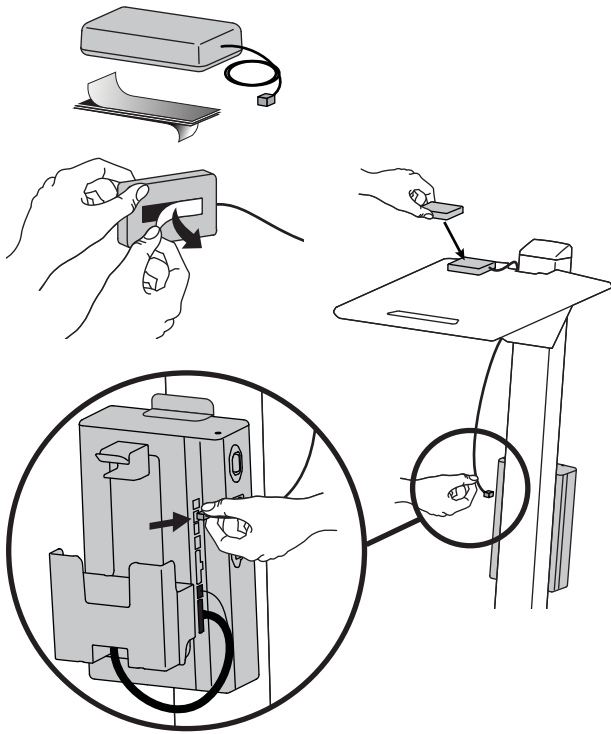
5 Attach power module to mounting brackets.



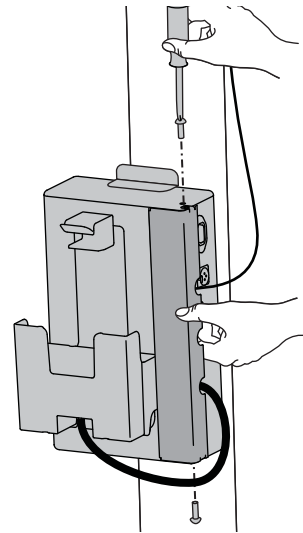
6 Remove power module cover and plug in battery cable.



7 a Attach SOCI to worksurface, then route cable down and plug into power module.

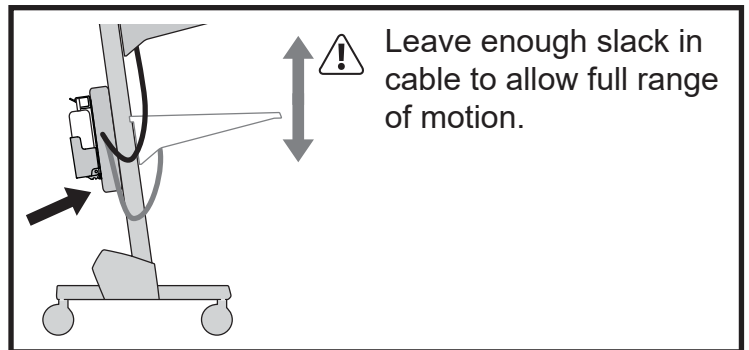
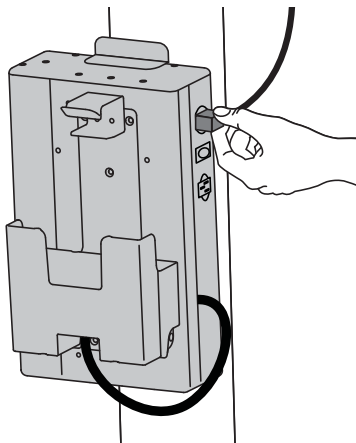


b Replace power module cover.



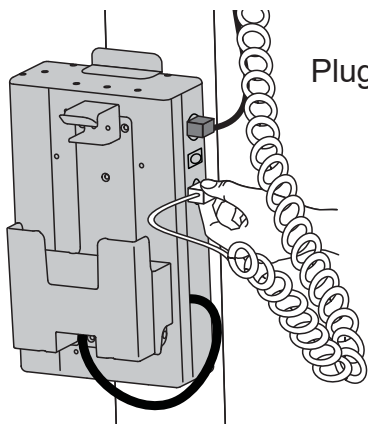
8 Attach power strip.

Power strip should be used to plug your equipment into.



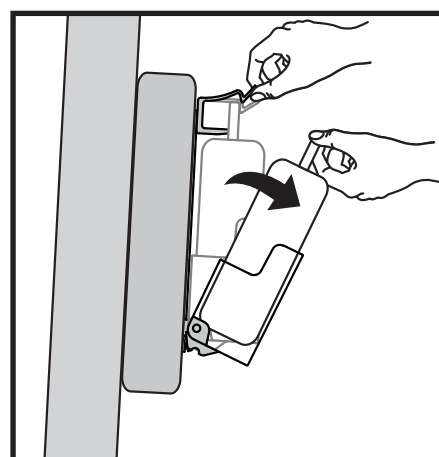
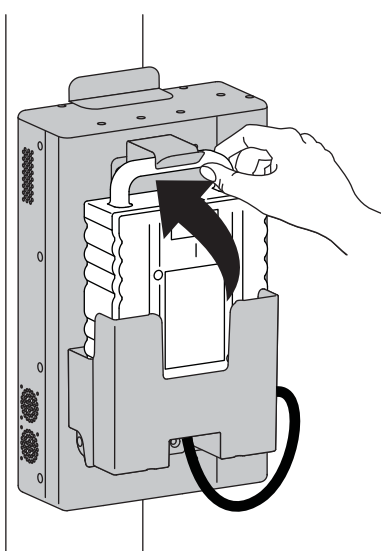
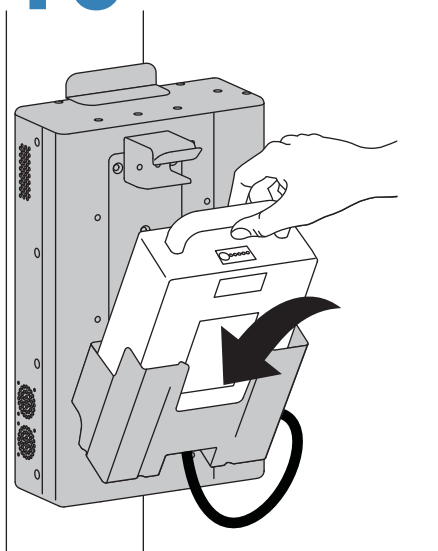
! **WARNING!** Connecting electrical equipment to the outlet effectively leads to creating a medical system and the result can be a reduced level of safety.

9 Attach coiled cord.



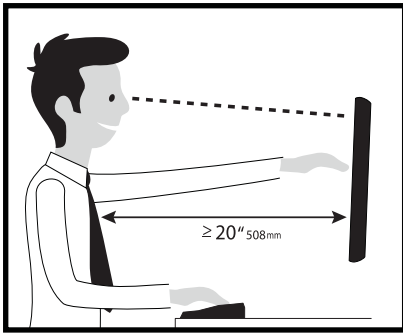
Plug coiled cord into wall outlet to charge battery.

10 BATTERY ATTACHMENT/REMOVAL



Battery Removal

END OF INSTALLATION



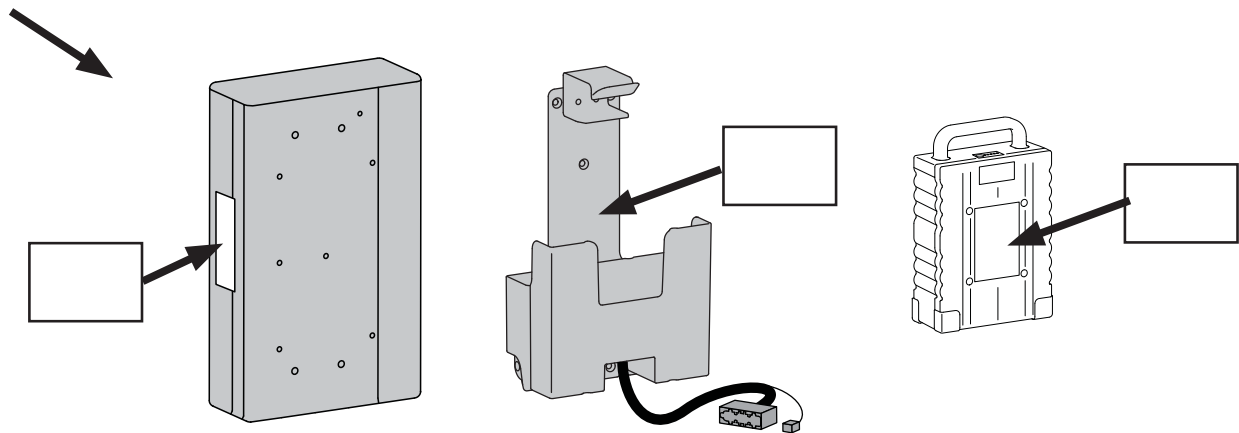
Learn more about ergonomic computer use at: www.ergotron.com/ergonomics

For Warranty visit: www.ergotron.com/warranty

For Service visit: www.ergotron.com

For local customer care phone numbers visit: <http://contact.ergotron.com>

NOTE: When contacting customer service, reference the serial number.



ergotron®

www.ergotron.com | USA: 1-800-888-8458 | Europe: +31 (0)33-45 45 600 | China: 400-120-3051 | Japan: japansupport@ergotron.com

© 2015 Ergotron, Inc. All rights reserved.

While Ergotron, Inc. makes every effort to provide accurate and complete information on the installation and use of its products, it will not be held liable for any editorial errors or omissions (including those made in the process of translation from English to another language), or for incidental, special or consequential damages of any nature resulting from furnishing this instruction and performance of equipment in connection with this instruction. Ergotron, Inc. reserves the right to make changes in the product design and/or product documentation without notification to its users. For the most current product information, or to know if this document is available in languages other than those herein, please contact Ergotron. No part of this publication may be reproduced, stored in a retrieval system, or transmitted in any form or by any means, electronic, mechanical, photocopying, recording or otherwise without the prior written consent of Ergotron, Inc., 1181 Trapp Road, Eagan, Minnesota, 55121, USA Patents Pending and Patented U.S. & Foreign. Ergotron is a registered trademark of Ergotron, Inc.