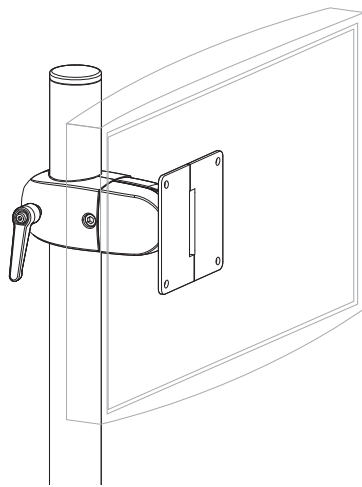
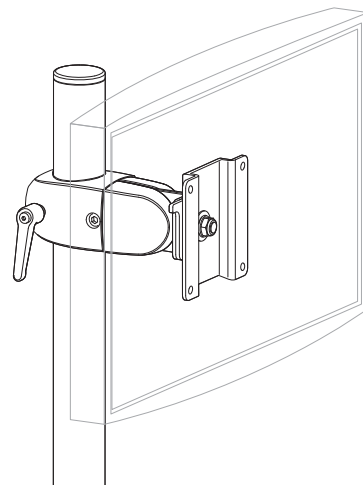


# ergotron®

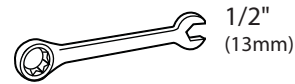
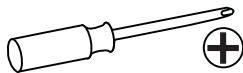
## DS100 Series Pole Clamp Pivot Single Pivot & Single Pivot Portrait/Landscape



or



1	A	B	C
	<p>1x</p> <p>or</p>	<p>2x</p>	<p>1x</p> <p>75-100mm</p> <p>4x M4 x 10 mm</p> <p>4x #8-32</p> <p>4x M4 x 10 mm</p> <p>1x 3/32" (2.38mm)</p>



**EN** User Guide

**ES** Guía del usuario

**FR** Manuel de l'utilisateur

**DE** Gebrauchsanweisung

**JA** ユーザーガイド

**ZH** 用户指南

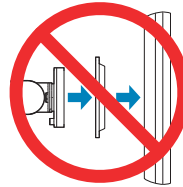
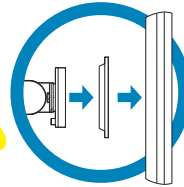
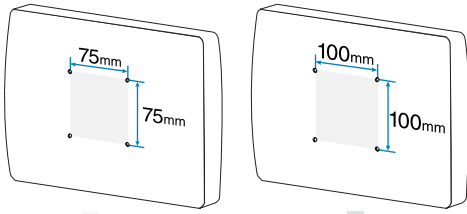
**NL** Gebruikershandleiding

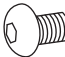
**IT** Guida per l'utente

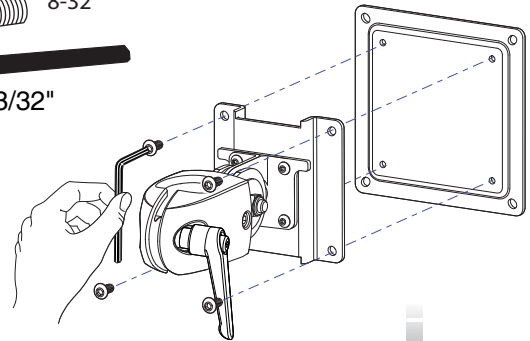
**SV** Användarhandbok

www.ergotron.com | USA: 1-800-888-8458 | Europe: +31 (0)33-45 45 600 | China: 400-120-3051 | Japan: japansupport@ergotron.com

1

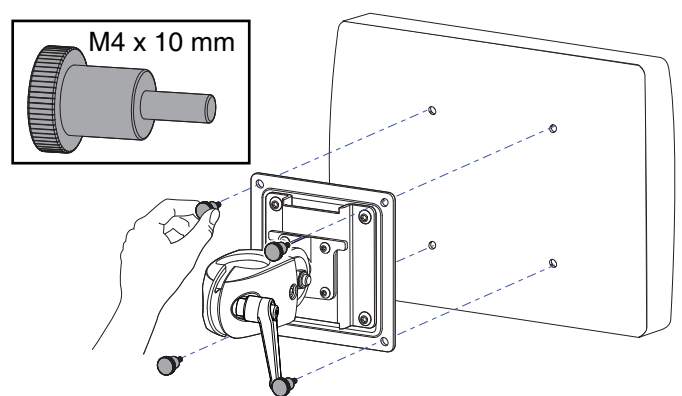
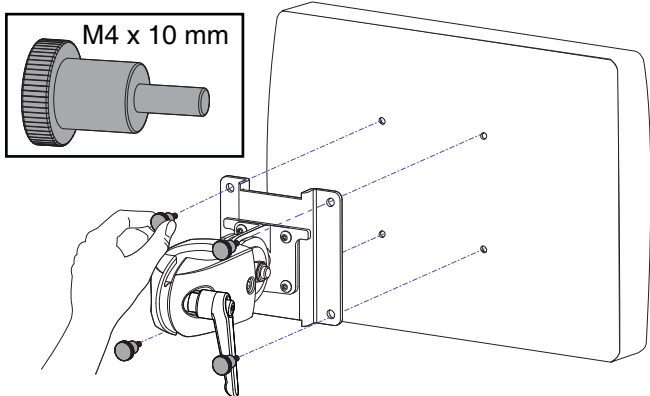
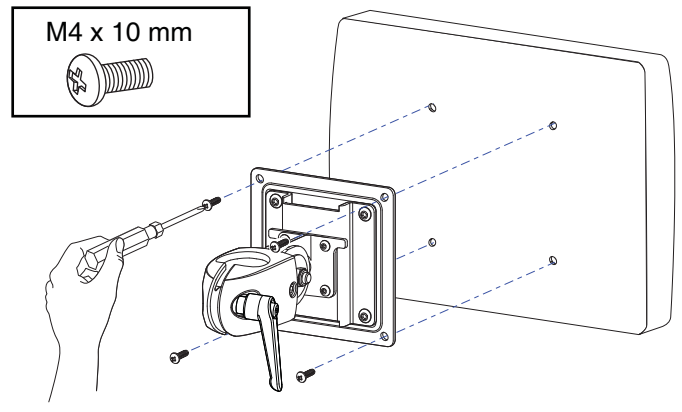
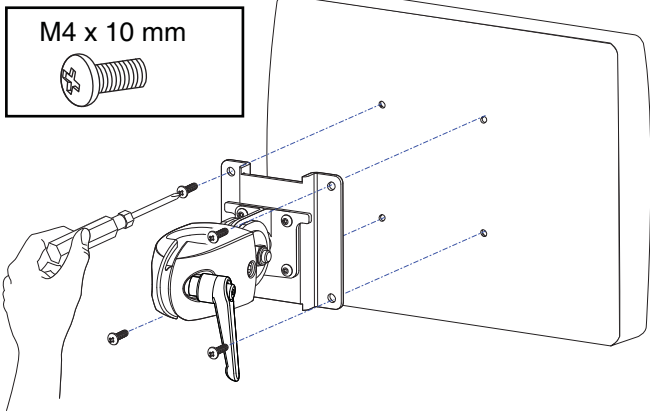


4x  8-32

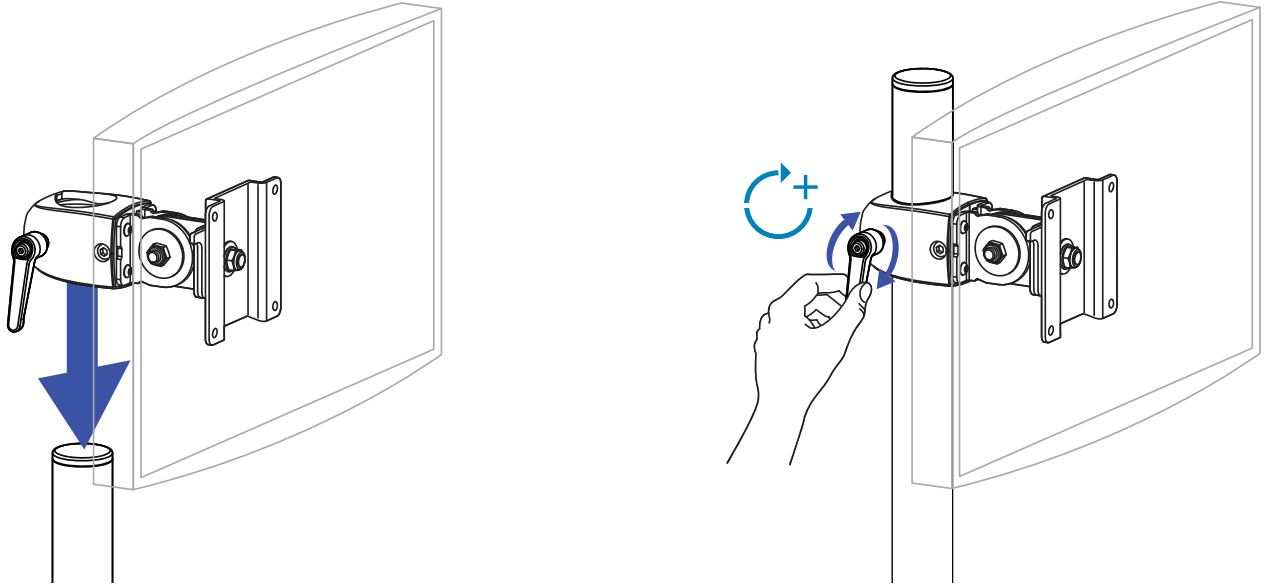


If your monitor uses a screw size other than M4 x 10mm, DO NOT use the M4 x 10mm screws or knob provided as they could result in damage to the monitor.

Indien uw monitor voorzien is van een ander type schroef dan de M4 X 10 mm, gebruik dan bestel niet de door Ergotron geleverde M4 X 10mm schroeven of schroefknoppen, want deze kunnen de monitor beschadigen.



# 2

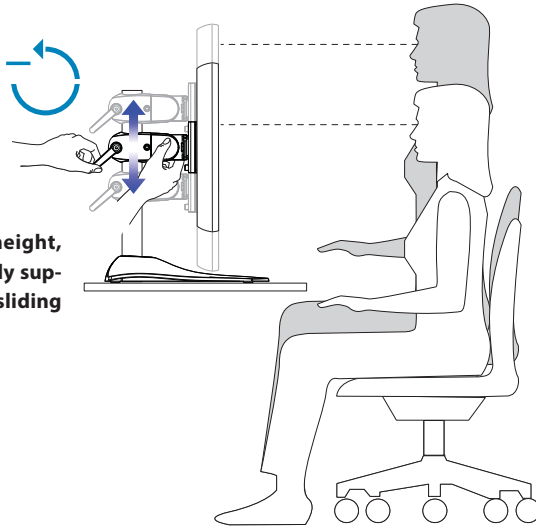


# 3

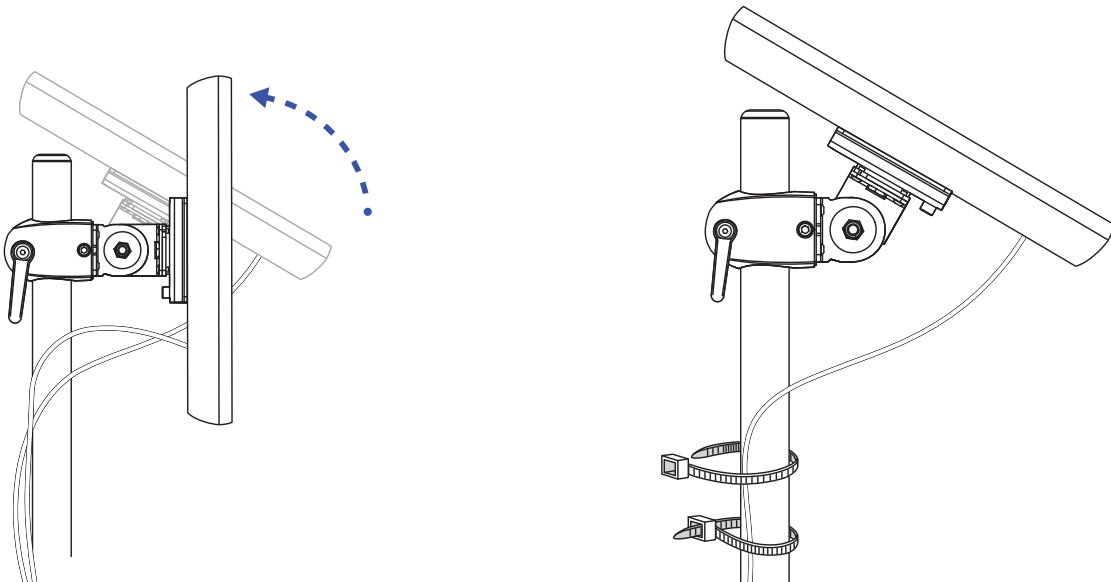


### CAUTION

When adjusting Desk Stand height, make sure monitors are properly supported to prevent them from sliding down too quickly.



# 4

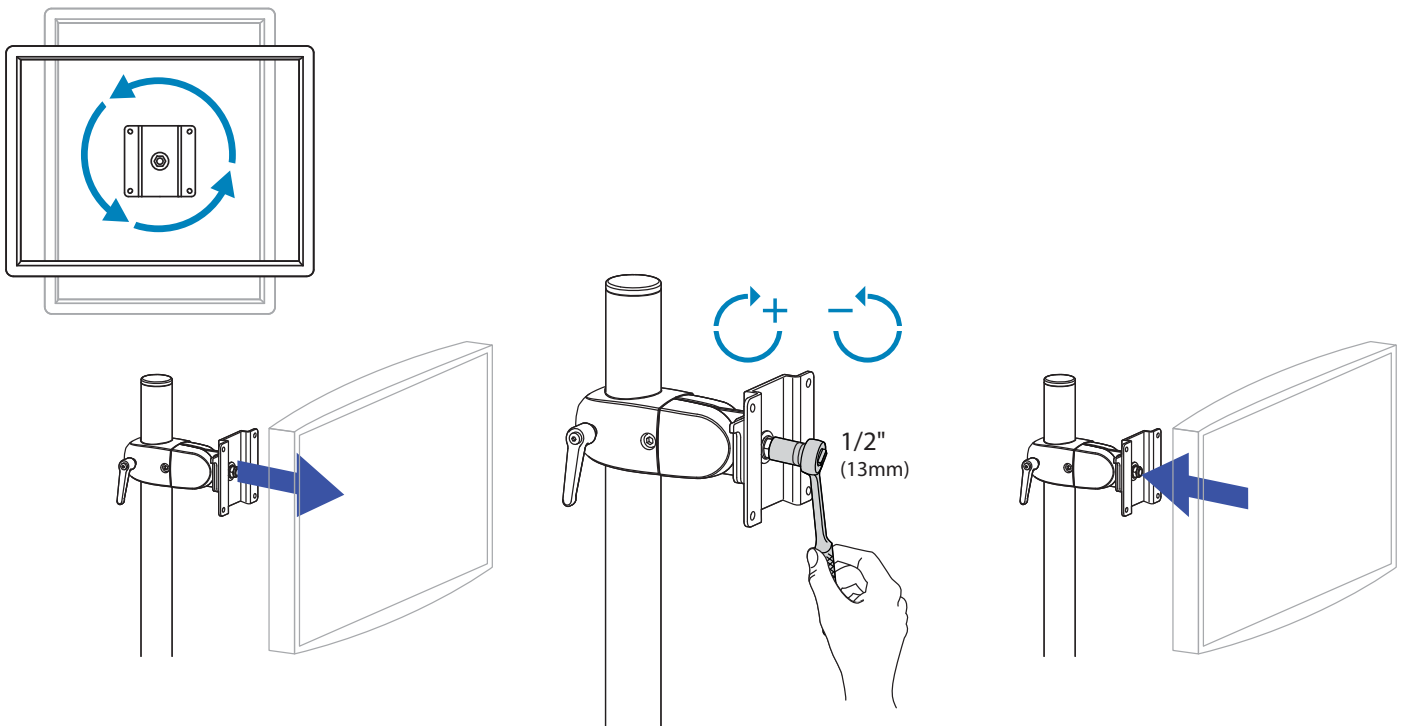
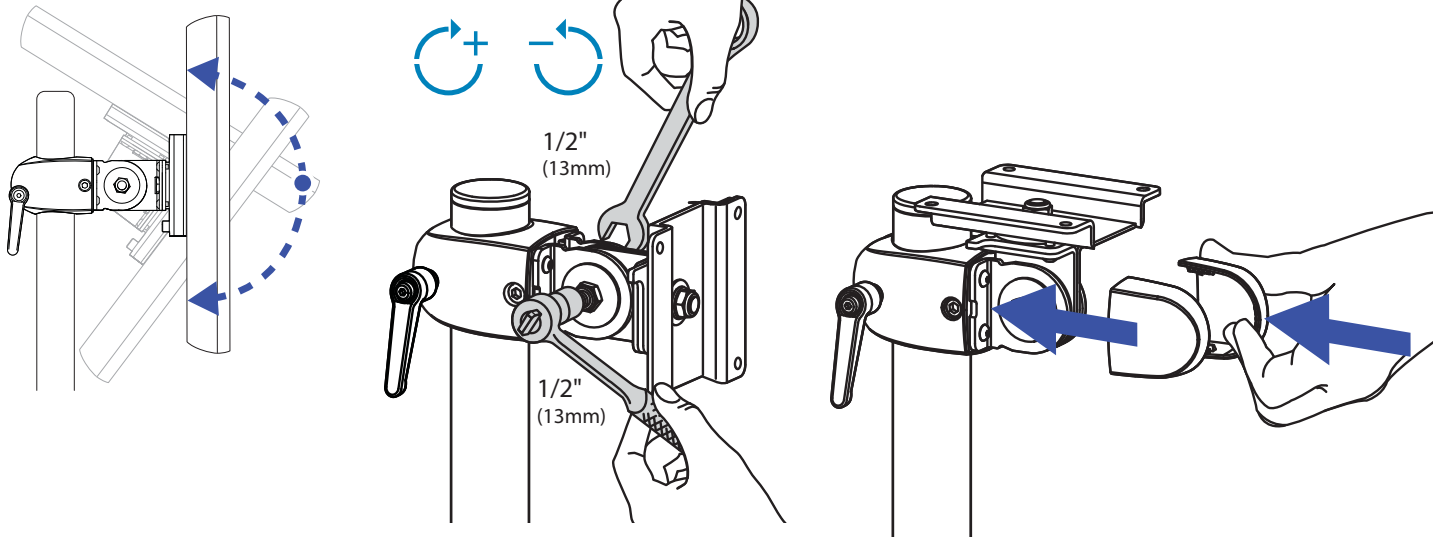


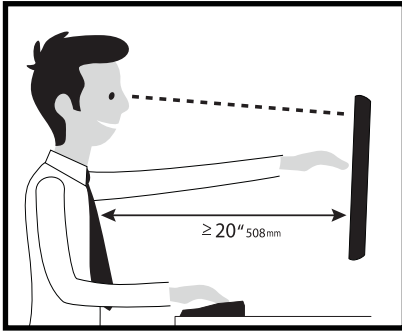
# 5



## Adjustment · Ajuste · Réglage · Einstellung · Instellen · Regolazione · 調整 · 调节 · 조절

**IMPORTANT!** This product will need tension adjustments once installation is complete. Make sure all equipment is properly installed on the product before attempting range of motion or tension adjustments. Any time equipment is added or changed on this product resulting in a different mounted weight, you should repeat the adjustment steps to ensure safe and optimum operation. This product should move smoothly and easily through the full range of motion and stay where you set it. If movement is difficult or the product does not stay where you set it, follow the adjustment instructions to loosen or tighten the tension to create a smooth, easy motion. Depending on your product and the adjustment, it may take many turns to notice a difference.





Learn more about ergonomic computer use at: [www.ergotron.com/ergonomics](http://www.ergotron.com/ergonomics)

- EN** For the latest User Installation Guide please visit: [www.ergotron.com](http://www.ergotron.com)  
For Warranty visit: [www.ergotron.com/warranty](http://www.ergotron.com/warranty)  
For Service visit: [www.ergotron.com](http://www.ergotron.com)  
For local customer care phone numbers visit: <http://contact.ergotron.com>
- ES** Para acceder a la última versión de la Guía de instalación para el usuario, ingrese a [www.ergotron.com](http://www.ergotron.com)  
Para Garantía, visite: [www.ergotron.com/warranty](http://www.ergotron.com/warranty)  
Para servicio, visite: [www.ergotron.com](http://www.ergotron.com)  
Para conocer los números telefónicos locales de atención al cliente, visite: <http://contact.ergotron.com>
- FR** Pour la dernière version du Guide d'installation de l'utilisateur, visitez : [www.ergotron.com](http://www.ergotron.com).  
Pour la garantie, visitez: [www.ergotron.com/warranty](http://www.ergotron.com/warranty)  
Pour le service client, visitez: [www.ergotron.com](http://www.ergotron.com)  
Pour les numéros de téléphone du service client local, visitez : <http://contact.ergotron.com>
- DE** Die aktuellste Anleitung für die Montage durch den Benutzer finden Sie hier: [www.ergotron.com](http://www.ergotron.com)  
Für Garantie Besuch: [www.ergotron.com/warranty](http://www.ergotron.com/warranty)  
Für Servicebesuch: [www.ergotron.com](http://www.ergotron.com)  
Örtliche Telefonnummern für den Kundendienst finden Sie hier: <http://contact.ergotron.com>
- JA** 最新のユーザー インストール ガイドは、[www.ergotron.com](http://www.ergotron.com) でご確認ください。  
保証書をご覧ください: [www.ergotron.com/warranty](http://www.ergotron.com/warranty)  
サービスをご覧ください: [www.ergotron.com](http://www.ergotron.com)  
最寄りのカスタマー ケアの電話番号については、こちらをご覧ください: <http://contact.ergotron.com>
- ZH** 若需最新的用户安装指南，请访问： [www.ergotron.com](http://www.ergotron.com)  
为保证参观: [www.ergotron.com/warranty](http://www.ergotron.com/warranty)  
对于上门服务: [www.ergotron.com](http://www.ergotron.com)  
若需当地客户服务电话号码，请访问： <http://contact.ergotron.com>
- NL** De nieuwste Gids voor installatie door de gebruiker kunt u vinden op: [www.ergotron.com](http://www.ergotron.com)  
Ga voor garantie naar: [www.ergotron.com/warranty](http://www.ergotron.com/warranty)  
Ga voor service naar: [www.ergotron.com](http://www.ergotron.com)  
Plaatselijke telefoonnummers voor de klantendienst kunt u vinden op: <http://contact.ergotron.com>
- IT** Per la versione più recente della Guida all'installazione per l'utente, visitare il sito web: [www.ergotron.com](http://www.ergotron.com)  
Per la garanzia visitare: [www.ergotron.com/warranty](http://www.ergotron.com/warranty)  
Per assistenza visitare: [www.ergotron.com](http://www.ergotron.com)  
Per conoscere i numeri di telefono dell'assistenza clienti locale, visitare: <http://contact.ergotron.com>
- SV** För den senaste Installationshandboken se: [www.ergotron.com](http://www.ergotron.com)  
För garanti, gå till: [www.ergotron.com/warranty](http://www.ergotron.com/warranty)  
För service, gå till: [www.ergotron.com](http://www.ergotron.com)  
För lokala kundtjänstnummer, gå till: <http://contact.ergotron.com>

# ergotron®

[www.ergotron.com](http://www.ergotron.com) | USA: 1-800-888-8458 | Europe: +31 (0)33-45 45 600 | China: 400-120-3051 | Japan: [japansupport@ergotron.com](mailto:japansupport@ergotron.com)

© 2012 Ergotron, Inc. All rights reserved.

While Ergotron, Inc. makes every effort to provide accurate and complete information on the installation and use of its products, it will not be held liable for any editorial errors or omissions (including those made in the process of translation from English to another language), or for incidental, special or consequential damages of any nature resulting from furnishing this instruction and performance of equipment in connection with this instruction. Ergotron, Inc. reserves the right to make changes in the product design and/or product documentation without notification to its users. For the most current product information, or to know if this document is available in languages other than those herein, please contact Ergotron. No part of this publication may be reproduced, stored in a retrieval system, or transmitted in any form or by any means, electronic, mechanical, photocopying, recording or otherwise without the prior written consent of Ergotron, Inc., 1181 Trapp Road, Eagan, Minnesota, 55121, USA Patents Pending and Patented U.S. & Foreign. Ergotron is a registered trademark of Ergotron, Inc.