

# Cisco Webex Room 70

Cisco Webex Room 70 Single

Cisco Webex Room 70 Dual

---

# Contents

Cisco Webex Room 70 overview	3
Cisco Webex Room 70 features and benefits	4
Cisco Webex Room 70 prominent feature/differentiator	5
Cisco Webex Room 70 registration	5
Product specifications	6
Ordering information	11
Warranty information	12
Cisco environmental sustainability	12
Cisco Services and Support	13
Cisco Capital	13

Cisco Webex Room 70 is the flagship video collaboration product within the Cisco Webex Room Series portfolio. The Room 70 is available in two configurations: Room 70 Single (70S) with one 70" LED screen for a people-focused experience, and Room 70 Dual (70D) with two 70" LED screens for a people-focused and people/content-focused experience. The systems combine beautiful design and powerful functionality into an all-in-one solution for medium-to-large rooms. Room 70 will transform your meeting spaces into a video collaboration hub - whether for connecting teams across the globe or for local meetings.

### Cisco Webex Room 70 overview

Cisco Webex™ Room 70 delivers the unmatched video and audio experience customers have come to expect from Cisco. In addition, new capabilities enable even smarter meetings, smarter presentation capabilities, and smarter room and device integrations - further removing the barriers to usage and deployment of video in medium to large-sized rooms.

The Room 70 - comprising a powerful codec, a quad-camera, and 70" single or dual 4K display(s) with integrated speakers and microphones\* - is ideal for rooms that seat up to 14 people. It offers sophisticated camera technologies that bring speaker-tracking and auto-framing capabilities to medium to large-sized rooms. The product is rich in functionality and experience but is priced and designed to be easily scalable to all of your conference rooms and spaces - whether registered on the premises or to Cisco Webex in the cloud.

\*Integrated microphones for speaker tracking only



**Figure 1.**  
Cisco Webex Room 70 Dual and Cisco Webex Room 70 Single on Free-standing Floor Stand

## Cisco Webex Room 70 features and benefits

Feature	Benefit
<b>Design Features</b>	<ul style="list-style-type: none"> <li>• One of the most powerful and feature-rich video systems available with the ultimate in video and audio quality</li> <li>• The next generation HD video collaboration codec</li> <li>• The next generation HD fully automatic camera</li> <li>• Everything you need in one unit (screens, speakers, codec, camera, touch user interface, microphones, mounting)</li> <li>• Wall-mount or floor stand (2 floor stand options included: Freestanding and wall-secured floor stand)</li> </ul>
<b>Smart meetings</b>	<ul style="list-style-type: none"> <li>• Brings intelligent views to medium to large-sized rooms with discreet, integrated cameras               <ul style="list-style-type: none"> <li>◦ Best overview: Automatically detects meeting participants and provides ideal framing</li> <li>◦ Speaker tracking: Detects and switches between active speakers and provides ideal framing</li> </ul> </li> <li>• Great audio experience with integrated speakers and external microphones</li> <li>• Automatic noise suppression reduces disruptive sounds coming from the meeting room (e.g., typing, paper rustling)*</li> <li>• Simplified meeting-join experience with One Button to Push (OBTP) for scheduled devices in a Cisco Webex meeting, whether registered on-prem or to Cisco Webex</li> <li>• Automatic wake-up: System “wakes up” when someone walks into the room, and recognizes them through their mobile device</li> <li>• Easily controlled by the Cisco Touch 10 control unit or with the Cisco Webex Teams app</li> <li>• End-to-end security</li> </ul>
<b>Smart presentations</b>	<ul style="list-style-type: none"> <li>• Supports dual screens for video and content</li> <li>• Supports dual content sources for local meetings</li> <li>• View white board content and annotations shared from Cisco Webex Board, Cisco Webex DX80, or Cisco Webex Teams app; participate in white boarding sessions through Cisco Webex Teams app*</li> <li>• 4K content sharing (local 30 fps; remote 5 fps)</li> <li>• Wired or wireless content sharing</li> </ul>
<b>Smart rooms</b>	<ul style="list-style-type: none"> <li>• Metrics: Counts people in the room, enabling analytics for better resource planning</li> <li>• Supports Wi-Fi</li> <li>• In-room control: Control peripherals such as lights and blinds through the Cisco Touch 10</li> </ul>
<b>Built for cloud and premises</b>	<ul style="list-style-type: none"> <li>• Flexibility to register on the premises or to the cloud through Cisco Webex</li> <li>• Hardware is optimized to run on a cloud platform, for great experiences in shared rooms and spaces with easy access to hosted conferences</li> </ul>

\* Supported on Webex-registered devices only



**Figure 2.**  
Cisco Webex Room 70 in large conference room

## Cisco Webex Room 70 prominent feature/differentiator

### Bringing more intelligence to medium to large-sized rooms

The Cisco Webex Room 70 is video innovation in an easy to install all in one unit, bringing more intelligence and usability to your medium to large-sized team collaboration rooms. While others are still struggling to insert advanced features such as speaker tracking, wireless sharing, and 4K content into their high-end products, Cisco is already proliferating these innovations to meeting rooms of all sizes in a cost-effective and simple way. With the Room 70, Cisco is helping customers experience smarter meetings, enable smarter presentations, and create smarter room and device integrations. And when registered to Cisco Webex, additional cloud-based functionalities are enabled that enhance the user experience and team workflow as well as further simplifying deployment.

- **Smart meetings:** Powerful, integrated cameras deliver intelligent view capabilities, such as automatic framing and speaker tracking; automatic noise suppression reduces meeting disruptions
- **Smart presentations:** Dual screens, dual content sources, wireless sharing, and 4K content make for great presentations
- **Smart integrations:** People count for usage metrics and resource allocation; tight integrations with screens to enhance user interactions; APIs and macros allow meeting personalization
- **Registration flexibility:** Built for both cloud and on-premises deployment, protecting your investment

## Cisco Webex Room 70 registration

License Level	Term
Cisco Webex Device Subscription	Monthly or 1-, 2-, 3-, 4-, or 5-year options

## Product specifications

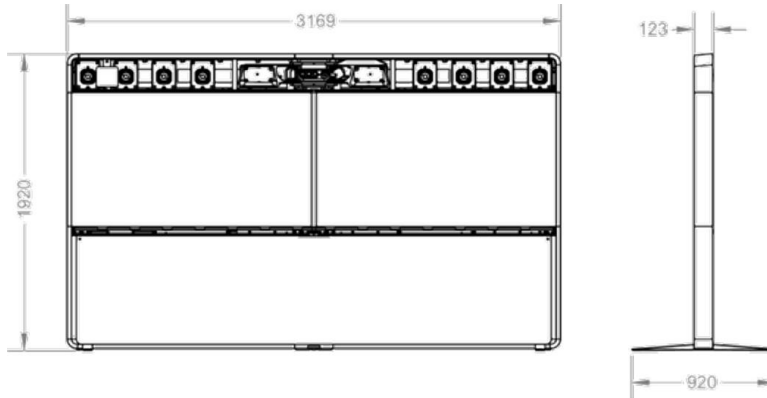
**Table 1.** Specifications

Specification	Description		
<b>Software compatibility</b>	<ul style="list-style-type: none"> <li>• Cisco Collaboration Endpoint Software Version 9.2 or later, or Cisco Webex Room OS</li> </ul>		
<b>Default components in Cisco Webex Room 70</b>	<ul style="list-style-type: none"> <li>• Cisco Webex Codec Plus for Room 70</li> <li>• Cisco Webex Quad camera</li> <li>• Loudspeakers</li> <li>• Cisco Touch 10 control unit</li> <li>• Mounting option – Floor stand or wall mount</li> <li>• 2x Table Microphone 20</li> <li>• 2x Presentation cable (HDMI – HDMI), LAN cable and Power cable</li> </ul>		
<b>Displays</b>	<table border="0"> <tr> <td style="vertical-align: top;"> <p><b>Cisco Webex Room 70S</b></p> <ul style="list-style-type: none"> <li>• 70-inch TFT-LCD monitor, edge-lit LED</li> <li>• Resolution: 3840 x 2160 (16:9)</li> <li>• Contrast ratio: Typical 4000:1</li> <li>• Viewing angle:                             <ul style="list-style-type: none"> <li>◦ +/- 88 deg (typical)</li> <li>◦ +/- 70 deg (minimum)</li> </ul> </li> <li>• Response time: Typical 6 ms</li> <li>• Brightness:                             <ul style="list-style-type: none"> <li>◦ 230 cd/m2 @ 7,200K (default)</li> <li>◦ 260 cd/m2 @ 10,000K</li> </ul> </li> </ul> </td> <td style="vertical-align: top;"> <p><b>Cisco Webex Room 70D</b></p> <ul style="list-style-type: none"> <li>• 2x 70-inch TFT-LCD monitor, edge-lit LED</li> <li>• Resolution: 3840 x 2160 (16:9)</li> <li>• Contrast ratio: Typical 4000:1</li> <li>• Viewing angle:                             <ul style="list-style-type: none"> <li>◦ +/- 88 deg (typical)</li> <li>◦ +/- 70 deg (minimum)</li> </ul> </li> <li>• Response time: Typical 6 ms</li> <li>• Brightness:                             <ul style="list-style-type: none"> <li>◦ 230 cd/m2 @ 7,200K (default)</li> <li>◦ 260 cd/m2 @ 10,000K</li> </ul> </li> </ul> </td> </tr> </table>	<p><b>Cisco Webex Room 70S</b></p> <ul style="list-style-type: none"> <li>• 70-inch TFT-LCD monitor, edge-lit LED</li> <li>• Resolution: 3840 x 2160 (16:9)</li> <li>• Contrast ratio: Typical 4000:1</li> <li>• Viewing angle:                             <ul style="list-style-type: none"> <li>◦ +/- 88 deg (typical)</li> <li>◦ +/- 70 deg (minimum)</li> </ul> </li> <li>• Response time: Typical 6 ms</li> <li>• Brightness:                             <ul style="list-style-type: none"> <li>◦ 230 cd/m2 @ 7,200K (default)</li> <li>◦ 260 cd/m2 @ 10,000K</li> </ul> </li> </ul>	<p><b>Cisco Webex Room 70D</b></p> <ul style="list-style-type: none"> <li>• 2x 70-inch TFT-LCD monitor, edge-lit LED</li> <li>• Resolution: 3840 x 2160 (16:9)</li> <li>• Contrast ratio: Typical 4000:1</li> <li>• Viewing angle:                             <ul style="list-style-type: none"> <li>◦ +/- 88 deg (typical)</li> <li>◦ +/- 70 deg (minimum)</li> </ul> </li> <li>• Response time: Typical 6 ms</li> <li>• Brightness:                             <ul style="list-style-type: none"> <li>◦ 230 cd/m2 @ 7,200K (default)</li> <li>◦ 260 cd/m2 @ 10,000K</li> </ul> </li> </ul>
<p><b>Cisco Webex Room 70S</b></p> <ul style="list-style-type: none"> <li>• 70-inch TFT-LCD monitor, edge-lit LED</li> <li>• Resolution: 3840 x 2160 (16:9)</li> <li>• Contrast ratio: Typical 4000:1</li> <li>• Viewing angle:                             <ul style="list-style-type: none"> <li>◦ +/- 88 deg (typical)</li> <li>◦ +/- 70 deg (minimum)</li> </ul> </li> <li>• Response time: Typical 6 ms</li> <li>• Brightness:                             <ul style="list-style-type: none"> <li>◦ 230 cd/m2 @ 7,200K (default)</li> <li>◦ 260 cd/m2 @ 10,000K</li> </ul> </li> </ul>	<p><b>Cisco Webex Room 70D</b></p> <ul style="list-style-type: none"> <li>• 2x 70-inch TFT-LCD monitor, edge-lit LED</li> <li>• Resolution: 3840 x 2160 (16:9)</li> <li>• Contrast ratio: Typical 4000:1</li> <li>• Viewing angle:                             <ul style="list-style-type: none"> <li>◦ +/- 88 deg (typical)</li> <li>◦ +/- 70 deg (minimum)</li> </ul> </li> <li>• Response time: Typical 6 ms</li> <li>• Brightness:                             <ul style="list-style-type: none"> <li>◦ 230 cd/m2 @ 7,200K (default)</li> <li>◦ 260 cd/m2 @ 10,000K</li> </ul> </li> </ul>		
<b>Optional hardware components</b>	<ul style="list-style-type: none"> <li>• Additional Table Microphone 20, Ceiling Mic</li> </ul>		
<b>Bandwidth</b>	<ul style="list-style-type: none"> <li>• Up to 6 Mbps point-to-point</li> </ul>		
<b>Minimum bandwidth for resolution/frame rate</b>	<p>H.264</p> <ul style="list-style-type: none"> <li>• 720p30 from 768 kbps</li> <li>• 720p60 from 1152 kbps</li> <li>• 1080p30 from 1472 kbps</li> <li>• 1080p60 from 2560 kbps</li> </ul>		
<b>Firewall traversal</b>	<ul style="list-style-type: none"> <li>• Cisco Expressway™ technology</li> <li>• H.460.18, H.460.19 firewall traversal</li> </ul>		
<b>Video standards</b>	<ul style="list-style-type: none"> <li>• H.264, H.265</li> </ul>		
<b>Video inputs</b>	<ul style="list-style-type: none"> <li>• One HDMI input supports formats up to maximum 1080p60</li> <li>• Two HDMI inputs support formats up to maximum 4K (3840 x 2160) at 30 fps including HD1080p60</li> <li>• Consumer Electronics Control (CEC) 2.0</li> </ul>		
<b>Video outputs</b>	<ul style="list-style-type: none"> <li>• Two HDMI outputs support formats up to 3840 x 2160p60 (4Kp60) (In use)</li> <li>• Live video resolutions (encode and decode) up to 1920 x 1080p60 (HD1080p)</li> <li>• Consumer Electronics Control (CEC) 2.0</li> </ul>		
<b>Audio standards</b>	<ul style="list-style-type: none"> <li>• G.711, G.722, G.722.1, G.729, AAC-LD, and Opus</li> </ul>		

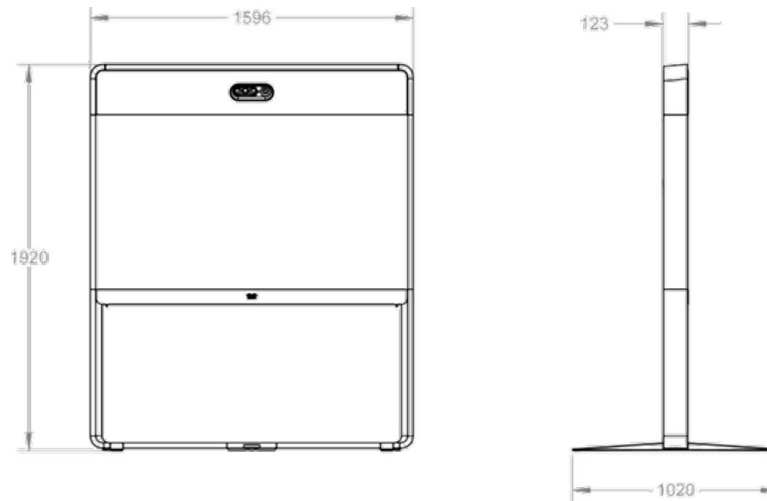
Specification	Description
<b>Audio features</b>	<ul style="list-style-type: none"> <li>• High-quality 20 kHz audio</li> <li>• Prepared for inductive loop (line out)</li> <li>• Automatic Gain Control (AGC)</li> <li>• Automatic noise reduction</li> <li>• Active lip synchronization</li> </ul>
<b>Audio inputs</b>	<ul style="list-style-type: none"> <li>• Three microphones, 4-pin mini-jack</li> <li>• Two audio in from HDMI</li> </ul>
<b>Audio outputs (external)</b>	<ul style="list-style-type: none"> <li>• 1 line out mini-jack (stereo) (Codec Plus)</li> </ul>
<b>Audio system</b>	<ul style="list-style-type: none"> <li>• Integrated full-range multichannel and bass speakers</li> <li>• Frequency response: 45 Hz to 20 kHz</li> <li>• Max output level SPL 104dB @ 1m</li> </ul>
<b>Speaker tracking</b>	<ul style="list-style-type: none"> <li>• 6-element microphone array for accurate speaker tracking</li> </ul>
<b>Dual stream</b>	<ul style="list-style-type: none"> <li>• H.239 (H.323) dual stream</li> <li>• Binary Floor Control Protocol (BFCP) (SIP) dual stream</li> <li>• Support resolutions up to 3840 x 2160p5 (4Kp5) and 1080p30</li> </ul>
<b>Wireless sharing</b>	<ul style="list-style-type: none"> <li>• Cisco Webex Teams app (up to 3840 x 2160p5)</li> <li>• Cisco Intelligent Proximity client (up to 1920 x 1080p5)</li> </ul>
<b>Multipoint support</b>	<ul style="list-style-type: none"> <li>• 4-way embedded SIP/H.323 conferencing capability with MultiSite option</li> </ul>
<b>MultiSite features (embedded multipoint) (optional upgrade)</b>	<ul style="list-style-type: none"> <li>• Adaptive SIP/H.323 MultiSite <ul style="list-style-type: none"> <li>◦ 3-way resolution up to 1080p30 + content up to 4Kp5</li> <li>◦ 4-way resolution up to 720p30 + content up to 4Kp5</li> </ul> </li> <li>• Full individual audio and video transcoding</li> <li>• H.323/SIP/VoIP in the same conference</li> <li>• Support for presentation (H.239/BFCP) from any participant at resolutions up to 3840 x 2160p5</li> <li>• Best Impression (automatic continuous presence layouts)</li> <li>• Encryption and dual stream from any site</li> </ul>
<b>Protocols</b>	<ul style="list-style-type: none"> <li>• H.323</li> <li>• SIP</li> <li>• Cisco Webex</li> </ul>
<b>Embedded encryption</b>	<ul style="list-style-type: none"> <li>• H.323 and SIP point-to-point</li> <li>• Standards-based: H.235 v3 and Advanced Encryption Standard (AES-256)</li> <li>• Automatic key generation and exchange</li> </ul>
<b>IP network features</b>	<ul style="list-style-type: none"> <li>• DNS lookup for service configuration</li> <li>• Differentiated services (Quality of Service [QoS])</li> <li>• IP-adaptive bandwidth management (including flow control)</li> <li>• Automatic gatekeeper discovery</li> <li>• Dynamic playout and lip-sync buffering</li> <li>• H.245 Dual-Tone Multi-frequency (DTMF) tones in H.323</li> <li>• RFC 4733 DTMF tones in SIP</li> <li>• Date and time support using Network Time Protocol (NTP)</li> </ul>

Specification	Description
	<ul style="list-style-type: none"> <li>• Media adaption and resilience</li> <li>• Uniform Resource Identifier (URI) dialing</li> <li>• Dynamic Host Configuration Protocol (DHCP)</li> <li>• 802.1X network authentication</li> <li>• 802.1Q Virtual LAN</li> <li>• 802.1p (QoS and Class of Service [CoS])</li> </ul>
<b>Call control</b>	<ul style="list-style-type: none"> <li>• Cisco Unified Communications Manager (CUCM) <ul style="list-style-type: none"> <li>◦ Native registration with CUCM</li> <li>◦ Requires CUCM Version 10.5.2 or later with device pack for Room 70</li> </ul> </li> <li>• Cisco Expressway <ul style="list-style-type: none"> <li>◦ Native registration with Expressway</li> </ul> </li> <li>• Cisco Webex</li> <li>• Third-party H.323 Gatekeepers and standards-based SIP proxies</li> </ul>
<b>Cisco TelePresence Management Suite (TMS)</b>	<ul style="list-style-type: none"> <li>• Support for Room 70 beginning with version TMS 15.6.1 (available January 2018)</li> </ul>
<b>IPv6 network support</b>	<ul style="list-style-type: none"> <li>• Single call stack support for both H.323 and SIP</li> <li>• Dual-stack IPv4 and IPv6 for DHCP, SSH, HTTP, HTTPS, DNS, DiffServ</li> <li>• Support for both static and automatic IP configuration (stateless address auto configuration)</li> </ul>
<b>Security features</b>	<ul style="list-style-type: none"> <li>• Management using HTTPS and SSH</li> <li>• IP administration password</li> <li>• Menu administration password</li> <li>• Disable IP services</li> <li>• Network settings protection</li> </ul>
<b>Certificate management</b>	<ul style="list-style-type: none"> <li>• Certificate Authority Proxy Function (CAPF) support for additional security</li> <li>• Manufacturer-Installed Certificates (MIC)</li> <li>• Locally Significant Certificates (LSC)</li> <li>• X.509 Digital Certificates (DER encoded binary); both DER and Base-64 formats are acceptable for the client and server certificates; certificates with a key size of 1024, 2048, and 4096 are supported</li> </ul>
<b>Other interfaces</b>	<ul style="list-style-type: none"> <li>• USB 2.0 port, <math>\mu</math>USB, factory reset pinhole</li> </ul>
<b>Power</b>	<ul style="list-style-type: none"> <li>• Autosensing power supply</li> <li>• 100-240 VAC, 50/60 Hz</li> <li>• Dual-screen system: Average 470 W*</li> <li>• Single-screen system: Average 258 W*</li> </ul> <p>* Power consumption under normal operating conditions as defined in IEC 60950-1</p>
<b>Operating temperature and humidity</b>	<ul style="list-style-type: none"> <li>• 0° C to 35° C (32° F to 95° F) ambient temperature</li> <li>• 20% to 90% Relative Humidity (RH)</li> <li>• Max operating altitude: 3000meter (9842ft.)</li> </ul>
<b>Storage and transport temperature</b>	<ul style="list-style-type: none"> <li>• -20° C to 60° C (-4° F to 140° F) at RH 10% to 90% (noncondensing)</li> </ul>

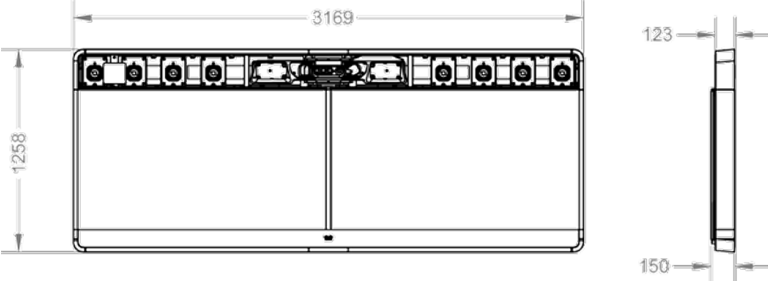
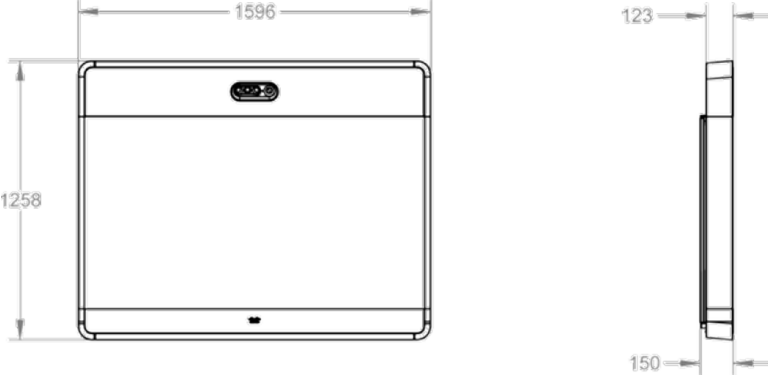


**Specification****Description****Dimensions**

- Cisco Webex Room 70D with floor stand:
  - Width: 124.76 in (3169 mm)
  - Height: 75.59 in (1920 mm)
  - Depth: 36.22 in (920 mm)
  - Weight, monitor module: 390.22 lb (177 kg)
  - Weight, floor stand: 77.16 lb (35 kg)
  - Weight: 471.79 lb (214 kg)



- Cisco Webex Room 70S with floor stand:
  - Width: 62.83 in (1596 mm)
  - Height: 75.59 in (1920 mm)
  - Depth: 36.22 in (1020 mm)
  - Weight, monitor module: 196.21 lb (89 kg)
  - Weight, floor stand: 57.32 lb (26 kg)
  - Weight: 249.12 lb (113 kg)

Specification	Description
	 <ul style="list-style-type: none"> <li>• Cisco Webex Room 70D with wall mount: <ul style="list-style-type: none"> <li>◦ Width: 124.76 in (3169 mm)</li> <li>◦ Height: 49.53 in (1258 mm)</li> <li>◦ Depth: 5.91 in (150 mm)</li> <li>◦ Weight, monitor modules: 390.22 lb (177 kg)</li> <li>◦ Weight, wall mount: 88.18 lb (40 kg)</li> <li>◦ Weight: 485. 02 lb (220 kg)</li> </ul> </li> </ul>  <ul style="list-style-type: none"> <li>• Cisco Webex Room 70S with wall mount: <ul style="list-style-type: none"> <li>◦ Width: 62.83 in (1596 mm)</li> <li>◦ Height: 49.53 in (1258 mm)</li> <li>◦ Depth: 5.91 in (150 mm)</li> <li>◦ Weight, monitor module: 196.21 lb (89 kg)</li> <li>◦ Weight, wall mount: 57.32 lb (26 kg)</li> <li>◦ Weight: 253.53 lb (115 kg)</li> </ul> </li> </ul>
<b>Camera overview</b>	<ul style="list-style-type: none"> <li>• 5K Ultra HD camera</li> <li>• Support up to 60 fps</li> <li>• 15.1 MP image sensor</li> <li>• 1/1.7 CMOS</li> <li>• 5x digital zoom (3 tele-lenses each with 50° horizontal field of view)</li> <li>• f/2.0 aperture</li> <li>• 83° horizontal field of view; 51.5° vertical field of view</li> <li>• Auto-framing (audio + face detect)</li> <li>• 5120 x 2880 pixel resolution</li> <li>• Auto focus, brightness, and white balance</li> <li>• Focus distance 1 m to infinity</li> </ul>

## Regulatory compliance

- Directive 2014/30/EU (EMC Directive) and Directive 2014/35/EU (Low-Voltage Directive) for the non-radio versions.
- Directive 2014/53/EU (Radio Equipment Directive) for the radio versions
- Directive 2011/65/EU (RoHS)
- Directive 2002/96/EU (WEEE)
- NRTL approved (Product Safety)
- FCC Listed (Radio Equipment)

## Standards

- Radio: EN 300 328, EN 301 893, EN 300 440 (only for the radio versions)
- EMC: EN 301 489-1 & -17 (only for the radio versions), EN 55032 - Class A, EN 55024
- Safety: EN 60950-1 (for radio and non-radio), EN 62479, EN 62311 (for the radio versions)
- FCC CFR 47 Part 15B (EMC) - Class A
- FCC CFR 47 Part 15C (RF)
- FCC CFR 47 Part 15E (RF)

Please check the Product Approval Status Database at <https://www.ciscofax.com/> for approval documents per country.

## Ordering information

To place an order, please contact your local Cisco representative and refer to Table 2.

**Table 2.** Ordering information

Product Name	Part Number	Compliance Model Number
<b>DUAL SCREEN</b>		
<b>Cisco Webex Room 70D - Subscription pricing (MSRP')</b>	CS-ROOM70D-MSRP-K9	TTC60-24
<b>Cisco Webex Room 70D - Upfront pricing (GPL'')</b>	CS-ROOM70D-K9	TTC60-24
<b>Cisco Webex Room 70D - NO RADIO</b>	CS-ROOM70D-NR-K9	TTC60-24
<b>Cisco Webex Room 70D - NO CRYPTO - NO RADIO</b>	CS-ROOM70D-NR-K7	TTC60-24
<b>SINGLE SCREEN</b>		
<b>Cisco Webex Room 70S - Subscription pricing (MSRP')</b>	CS-ROOM70S-MSRP-K9	TTC60-24
<b>Cisco Webex Room 70S - Upfront pricing (GPL'')</b>	CS-ROOM70S-K9	TTC60-24
<b>Cisco Webex Room 70S - NO RADIO</b>	CS-ROOM70S-NR-K9	TTC60-24

Product Name	Part Number	Compliance Model Number
<b>Cisco Webex Room 70S - NO CRYPTO - NO RADIO</b>	CS-ROOM70S-NR-K7	TTC60-24
<b>Options</b>		
<b>Cisco Table Microphone 20</b>	CTS-MIC-TABL20	TTC5-06
<b>Extension cable for Table Microphone 20</b>	CAB-MIC20-EXT	
<b>Cisco Ceiling Microphone</b>	CTS-MIC-CLNG-G2	
<b>Shielded cable for Ceiling Mic (non-plenum rated)</b>	CAB-ETHRSHLD-10M	
<b>8 m HDMI 2.0 certified cable</b>	CAB-PRES-2HDMI-GR	
<b>Software options - ordered separately</b>		
<b>Remote Monitoring</b>	L-ROOM-RM (L-TP-RM)	
<b>MultiSite (embedded multipoint)</b>	L-ROOM70-MS (L-ROOM-PAK)	
<b>Spares</b>		
<b>See separate spare-part document</b>	<a href="https://www.cisco.com/c/dam/en/us/td/docs/telepresence/endpoint/room-series/spare-parts-and-cables/room-70-spare-parts-list.pdf">https://www.cisco.com/c/dam/en/us/td/docs/telepresence/endpoint/room-series/spare-parts-and-cables/room-70-spare-parts-list.pdf</a>	

\* MSRP = Manufacturer's Suggested Retail Price

\*\* GPL = Global Price List

## Warranty information

Cisco Webex Room 70 has a 90-day limited liability warranty.

## Cisco environmental sustainability

Information about Cisco's environmental sustainability policies and initiatives for our products, solutions, operations, and extended operations or supply chain is provided in the "Environment Sustainability" section of Cisco's [Corporate Social Responsibility](#) (CSR) Report.

Reference links to information about key environmental sustainability topics (mentioned in the "Environment Sustainability" section of the CSR Report) are provided in the following table:

Sustainability topic	Reference
<b>Information on product material content laws and regulations</b>	<a href="#">Materials</a>
<b>Information on electronic waste laws and regulations, including products, batteries, and packaging</b>	<a href="#">WEEE compliance</a>

---

Cisco makes the packaging data available for informational purposes only. It may not reflect the most current legal developments, and Cisco does not represent, warrant, or guarantee that it is complete, accurate, or up to date. This information is subject to change without notice.

## Cisco Services and Support

Cisco and our partners provide a broad portfolio of smart, personalized services and support that can help you realize the full business value of your Cisco collaboration investment by increasing business agility and network availability. This portfolio of services accelerates business innovation by harnessing the network as a powerful business platform. For more information about these services, please visit:

<https://www.cisco.com/go/collaborationservices>.

## Cisco Capital

### Flexible payment solutions to help you achieve your objectives

Cisco Capital makes it easier to get the right technology to achieve your objectives, enable business transformation and help you stay competitive. We can help you reduce the total cost of ownership, conserve capital, and accelerate growth. In more than 100 countries, our flexible payment solutions can help you acquire hardware, software, services and complementary third-party equipment in easy, predictable payments. [Learn more](#).

### Learn more

- Learn more about [Cisco Webex Room 70](#).
- Download the [Cisco Webex Teams app](#).

**Americas Headquarters**  
Cisco Systems, Inc.  
San Jose, CA

**Asia Pacific Headquarters**  
Cisco Systems (USA) Pte. Ltd.  
Singapore

**Europe Headquarters**  
Cisco Systems International BV Amsterdam,  
The Netherlands

Cisco has more than 200 offices worldwide. Addresses, phone numbers, and fax numbers are listed on the Cisco Website at <https://www.cisco.com/go/offices>.

Cisco and the Cisco logo are trademarks or registered trademarks of Cisco and/or its affiliates in the U.S. and other countries. To view a list of Cisco trademarks, go to this URL: <https://www.cisco.com/go/trademarks>. Third-party trademarks mentioned are the property of their respective owners. The use of the word partner does not imply a partnership relationship between Cisco and any other company. (1110R)