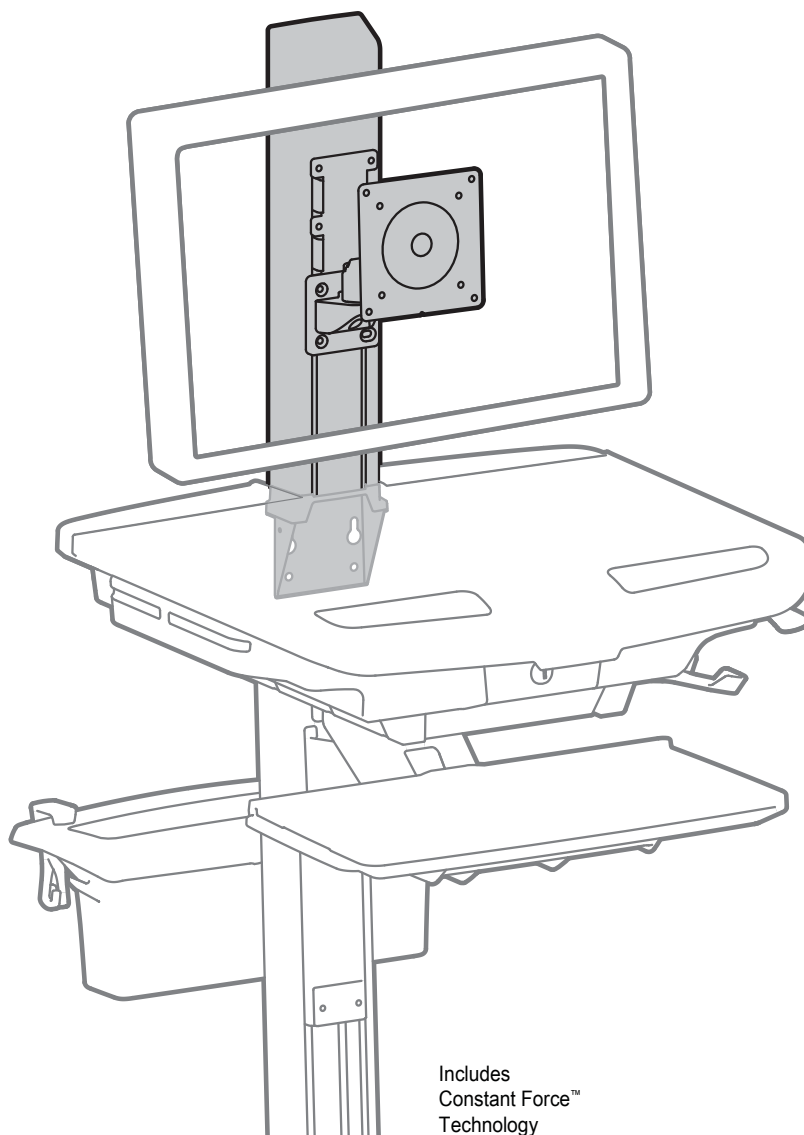


# ergotron®

## StyleView HD Monitor Accessory



Includes  
Constant Force™  
Technology

English







For the latest User Installation Guide please visit: [www.ergotron.com](http://www.ergotron.com)

English, Español, Français, Deutsch, Nederlands, Italiano, Svenska, 日本語, 汉语

[www.ergotron.com](http://www.ergotron.com) | USA: 1-800-888-8458 | Europe: +31 (0)33-45 45 600 | China: 400-120-3051 | Japan: [japansupport@ergotron.com](mailto:japansupport@ergotron.com)

# Hazard Symbols Review


These symbols alert users of a safety condition that demands attention. All users should be able to recognize and understand the significance of the following Safety Hazards if encountered on the product or within the documentation. Children who are not able to recognize and respond appropriately to Safety Alerts should not use this product without adult supervision!


Symbol	Signal Word	Level of Hazard
	<b>NOTE</b>	A NOTE indicates important information that helps you make better use of this product.
	<b>CAUTION</b>	A CAUTION indicates either potential damage to hardware or loss of data and tells you how to avoid the problem.
	<b>WARNING</b>	A WARNING indicates either potential for property damage, personal injury, or death.
	<b>ELECTRICAL</b>	An Electrical indicates an impending electrical hazard which, if not avoided, may result in personal injury, fire and/or death.

## Safety




Important! You will need to adjust this product after installation is complete. Make sure all your equipment is properly installed on the product before attempting adjustments. This product should move smoothly and easily through the full range of motion and stay where you set it. If movements are too easy or difficult or if product does not stay in desired positions, follow the adjustment instructions to create smooth and easy movements. Depending on your product and the adjustment, it may take many turns to notice a difference. Any time equipment is added or removed from this product, resulting in a change in the weight of the mounted load, you should repeat these adjustment steps to ensure safe and optimum operation.

 **Caution:** If combined LCD and CPU weight is greater than 27lbs (10.4kg) then the CPU must be mounted to the rear of the cart using a CPU holder accessory (ordered separately).

 **Caution:** Use of this accessory allows the cart to be configured with a high center of gravity. Do not exceed the maximum capacity of 24lbs.

 **Warning:** To avoid the potential to pinch cables it is important to follow the cable routing instructions in this manual. Failure to follow these instructions may result in equipment damage or personal injury.



 **Warning:** When the height adjustment and assembly are at maximum height this creates a tipping hazard. Lower work surface before moving cart. Failure to follow these instructions may result in equipment damage or personal injury.

**⚠ WARNING**



---

**Impact Hazard!**  
 Moving Parts can Crush and Cut.  
 Raise monitor to top of vertical adjustment BEFORE removing.  
 Failure to heed this warning may result in serious personal injury or property damage!

---

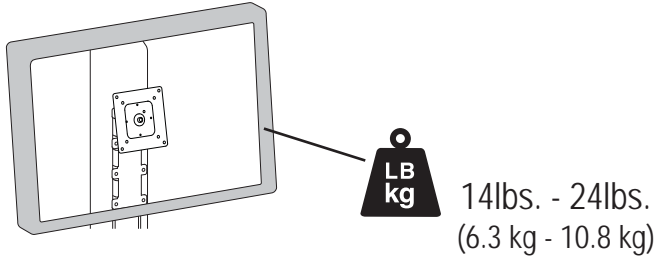


**TIPPING HAZARD**  
 Lower cart before moving.  
 Failure to follow these instructions may cause cart to tip resulting in equipment damage and/or personal injury.


828-836-00

# Features & Specifications

## Monitor Weight:

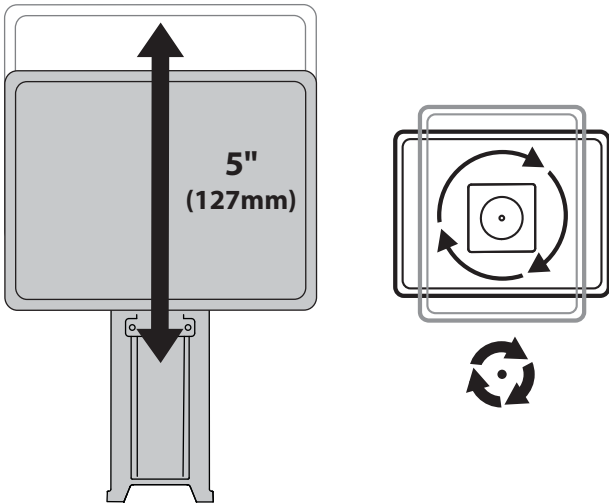


Total weight of monitor when mounted needs to be 14 lbs - 24 lbs (6.3 kg - 10.8 kg)


 CAUTION: DO NOT EXCEED MAXIMUM LISTED WEIGHT CAPACITY. SERIOUS INJURY OR PROPERTY DAMAGE MAY OCCUR!

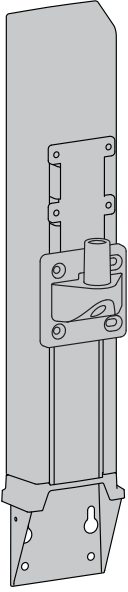

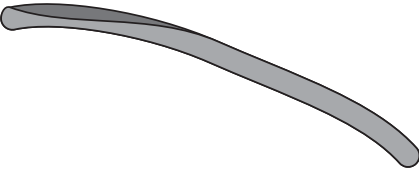
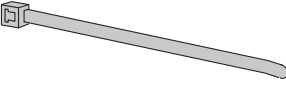
---

## Range of Motion:



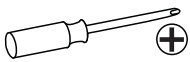
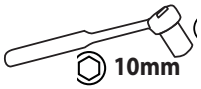
# Components



	A	B
1	1x 	1x 
2	1x 	4x 

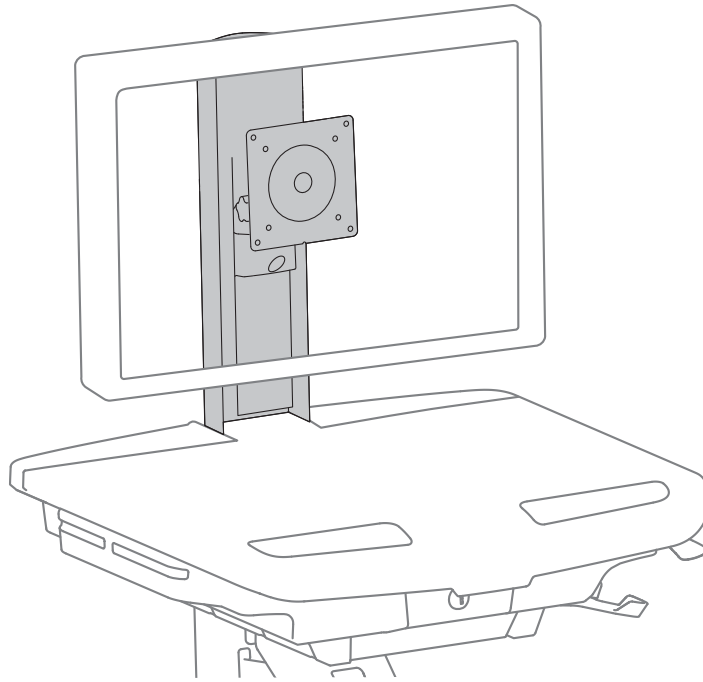
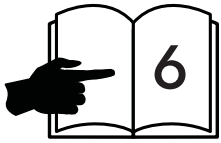


## Tools Needed

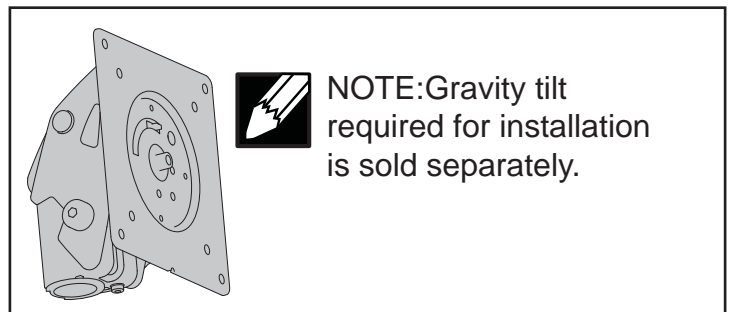
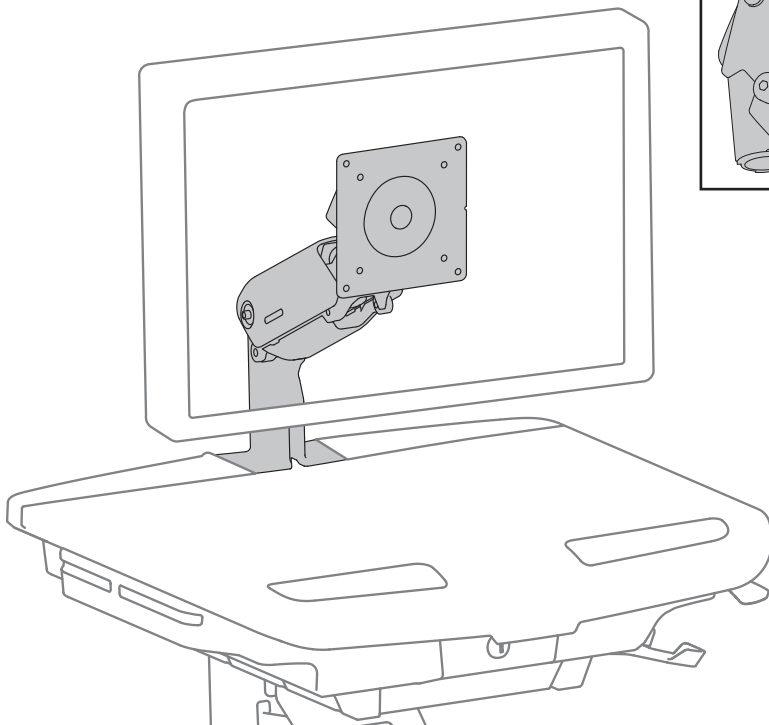
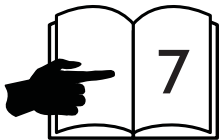


# 1

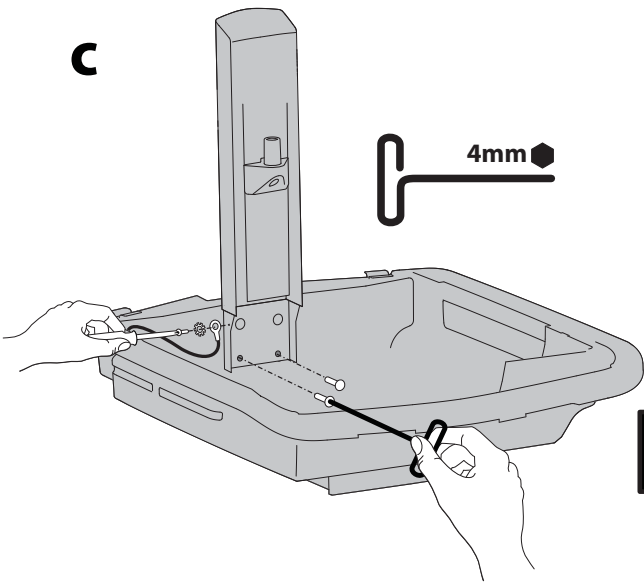
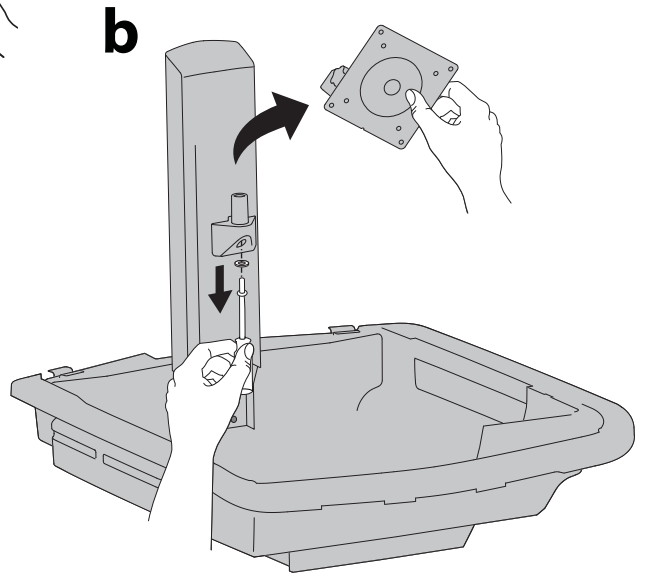
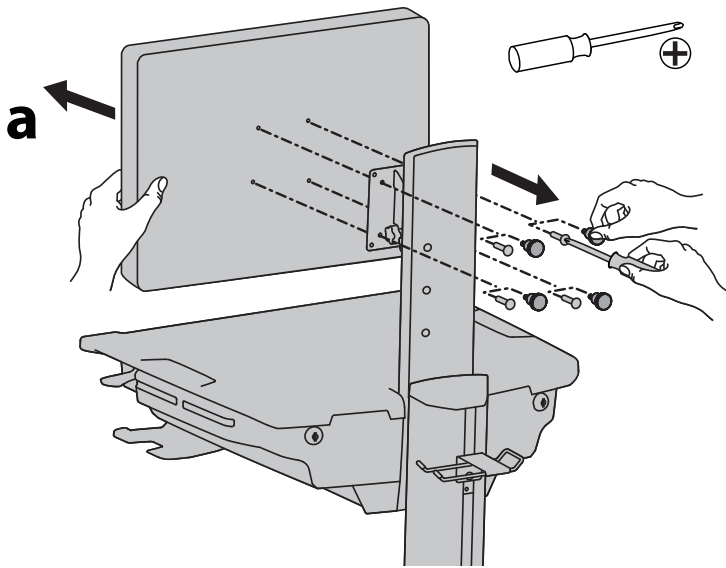
## LCD Pivot





## Arm

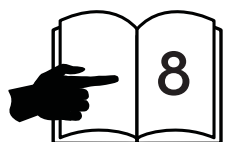
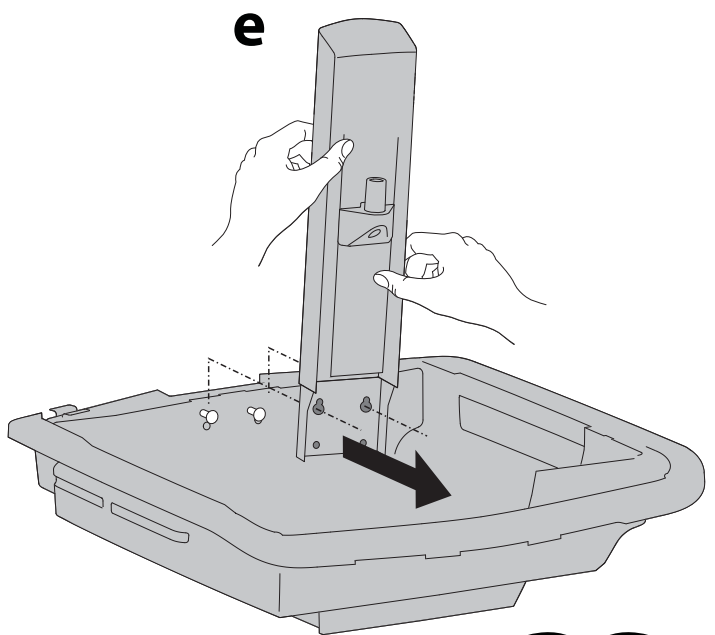
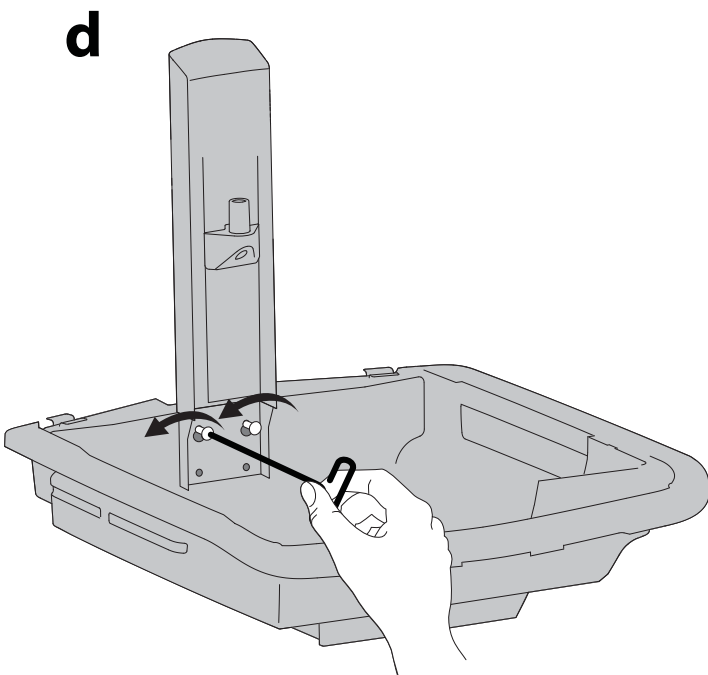


# 2 Remove LCD Pivot



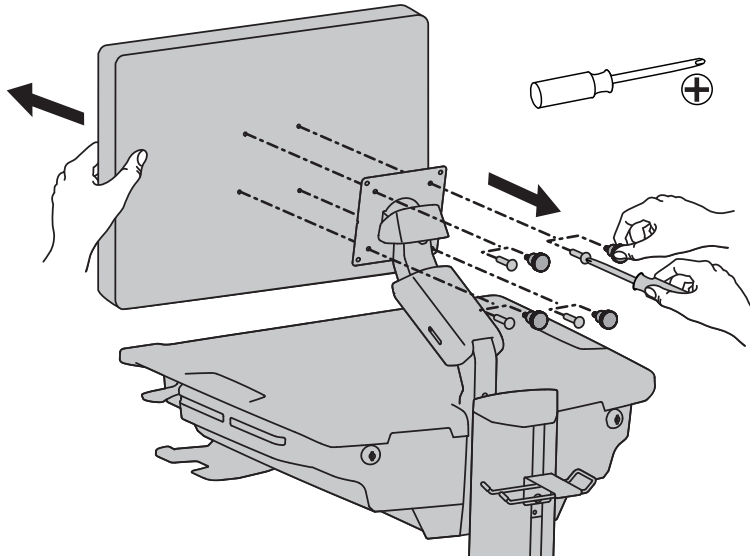
 NOTE: The gravity tilt is needed to complete the installation. Do not discard.

 NOTE: Remove ground wire and star washer if present. Save mounting screws, ground screw, ground wire and star washer for reinstallation.

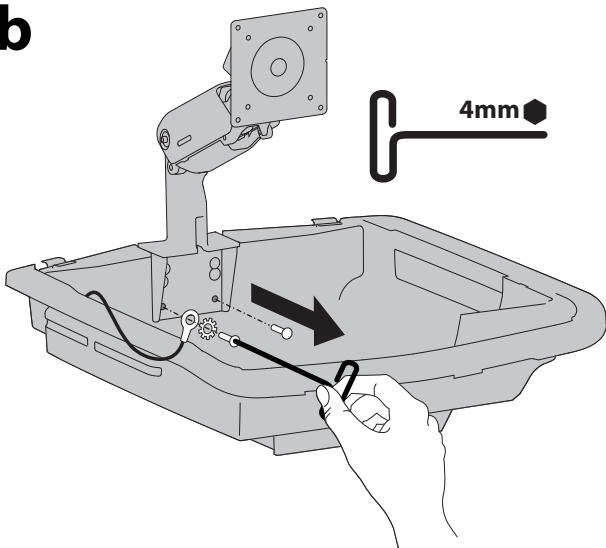


# 2 Remove Arm

a

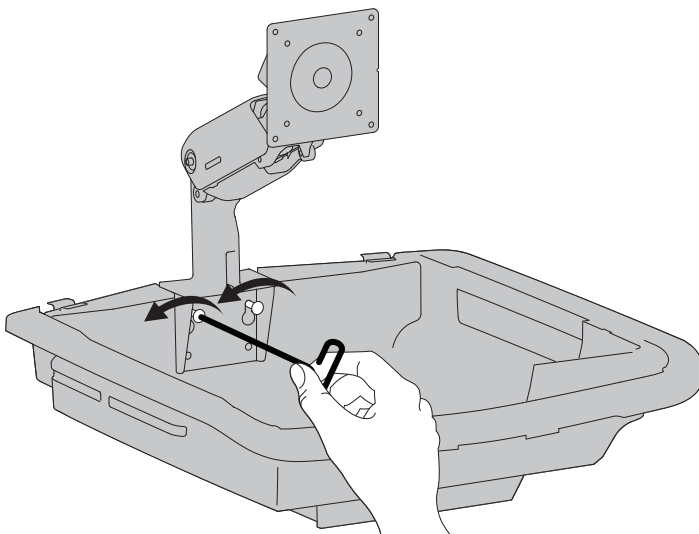


b

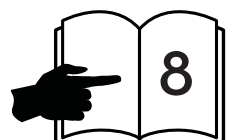
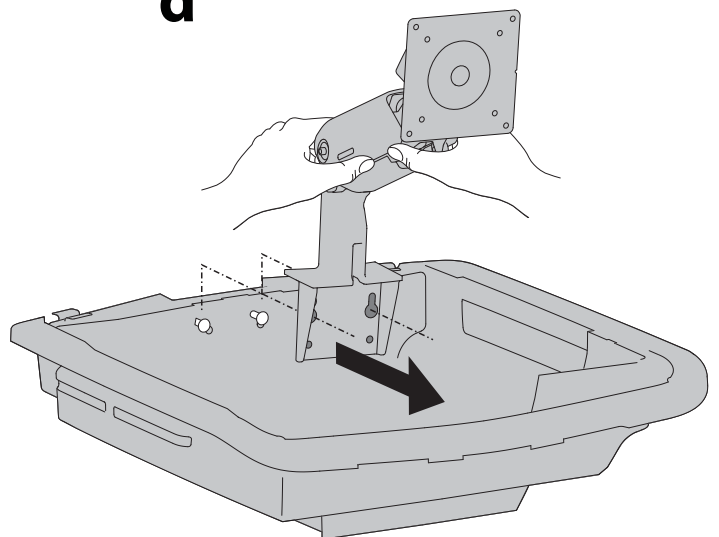


NOTE: Remove ground wire and star washer if present. Save mounting screws, ground screw, ground wire and star washer for reinstallation.

c



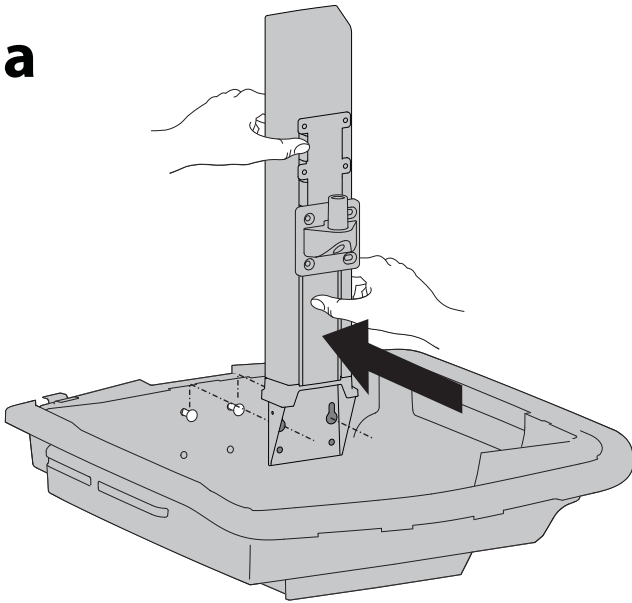
d



# 3 Attach Lift



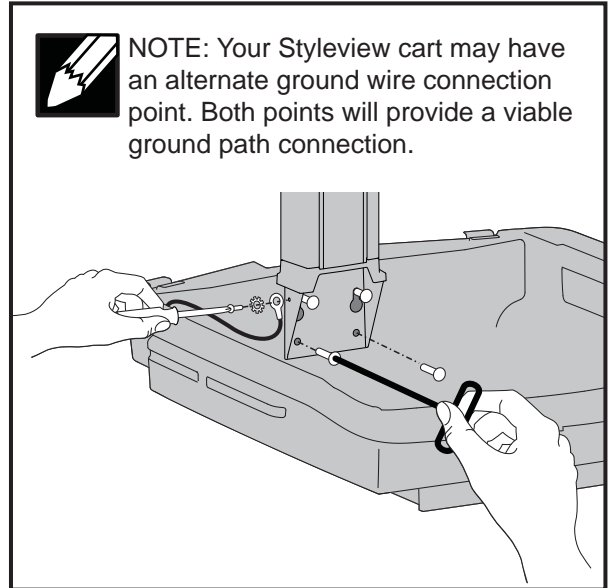
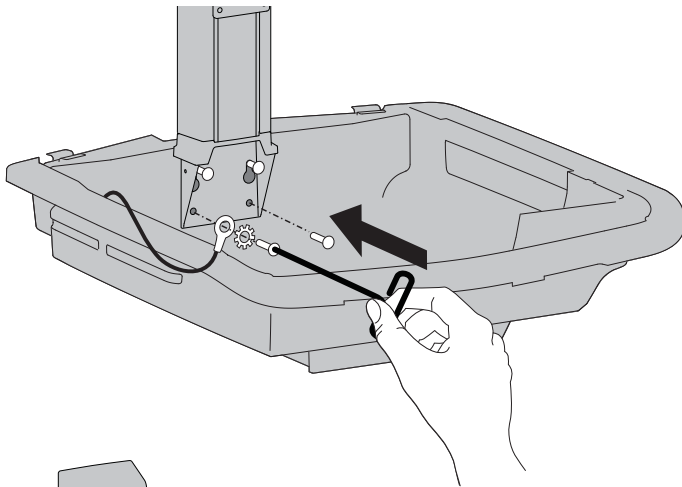
**a**



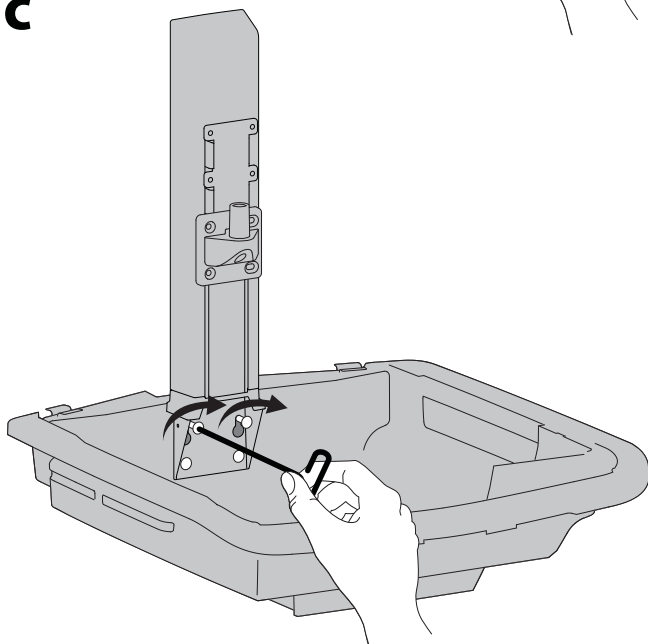
**b**



NOTE: If you removed a ground wire and star washer, reattach as shown.

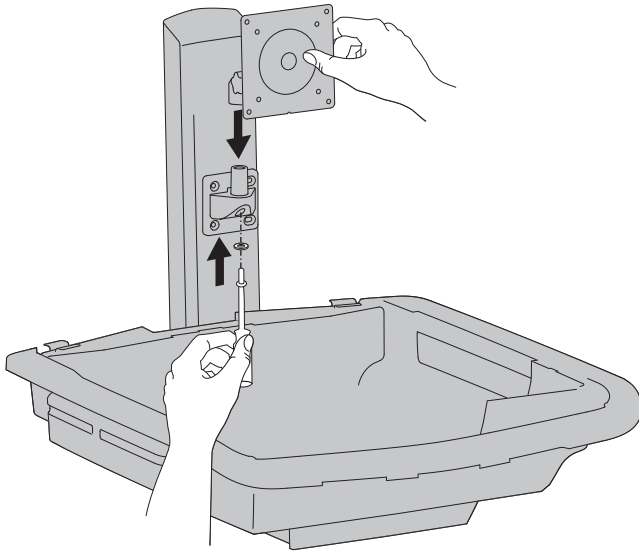


**c**

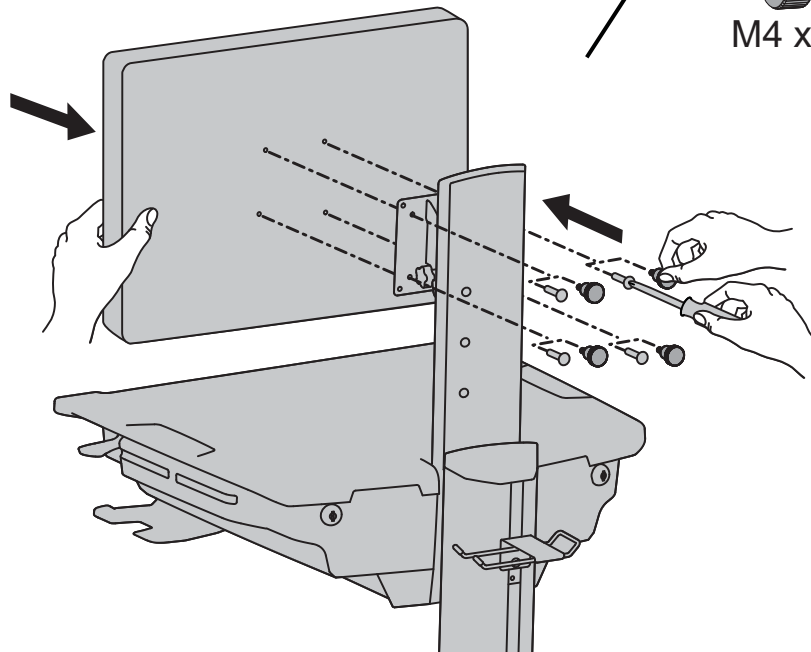
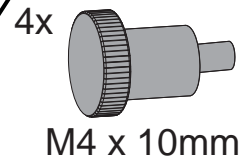
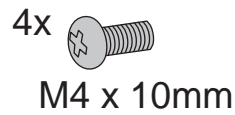
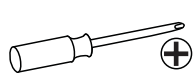
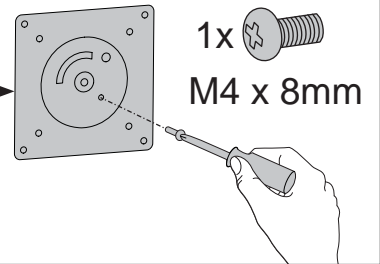
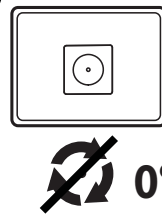
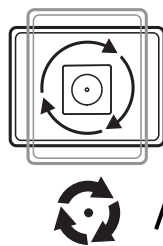




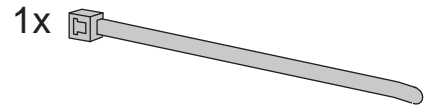
# 4 Re-install gravity tilt into lift



# 5 OPTIONAL: Insert stop screw to lock portrait/landscape monitor rotation.



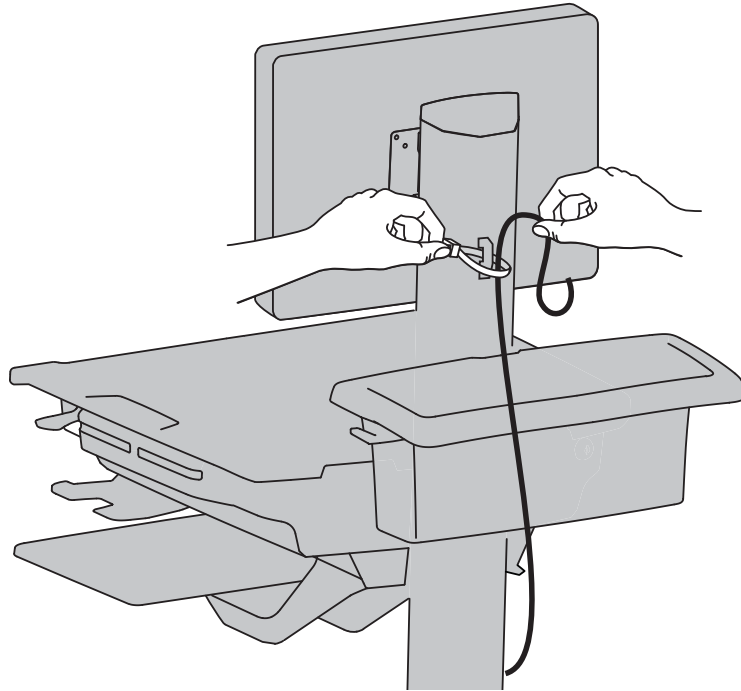
# 6 Secure Monitor Cables with Cable Ties



**NOTE:** Leave enough slack in cable to allow full range of motion.



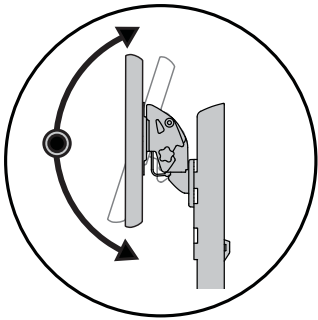
**Caution:** To avoid the potential to pinch cables it is important to follow the cable routing instructions in this manual. Failure to follow these instructions may result in equipment damage or personal injury.



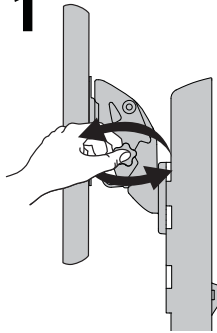
# 7 Adjustment Step

Important! You will need to adjust this product after installation is complete. Make sure all your equipment is properly installed on the product before attempting adjustments. This product should move smoothly and easily through the full range of motion and stay where you set it. If movements are too easy or difficult or if product does not stay in desired positions, follow the adjustment instructions to create smooth and easy movements. Depending on your product and the adjustment, it may take many turns to notice a difference. Any time equipment is added or removed from this product, resulting in a change in the weight of the mounted load, you should repeat these adjustment steps to ensure safe and optimum operation.

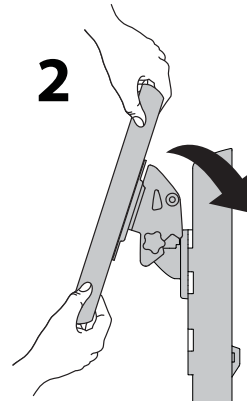
## a Monitor Pivot - Up and Down



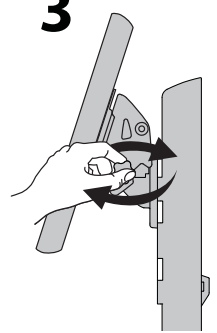
1



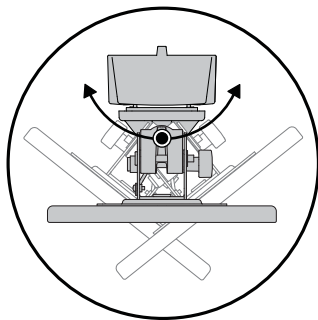
2



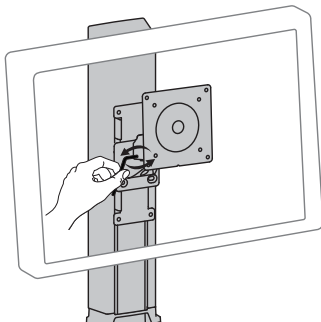
3



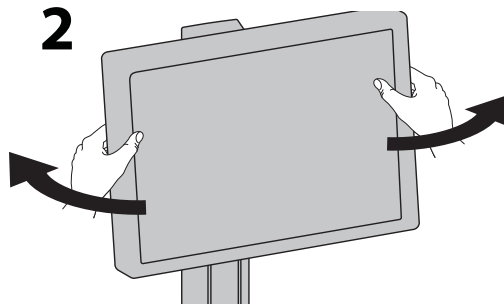
## b Monitor Pan - Left and Right



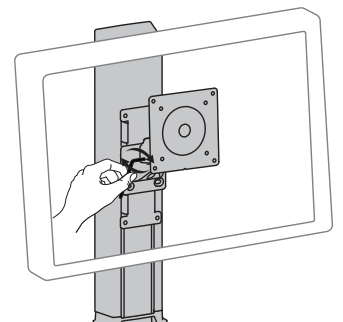
1



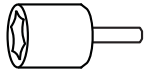
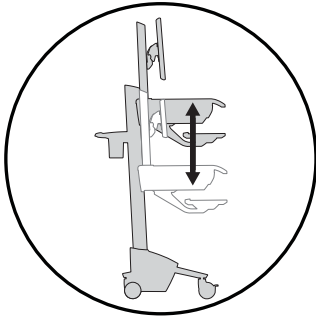
2



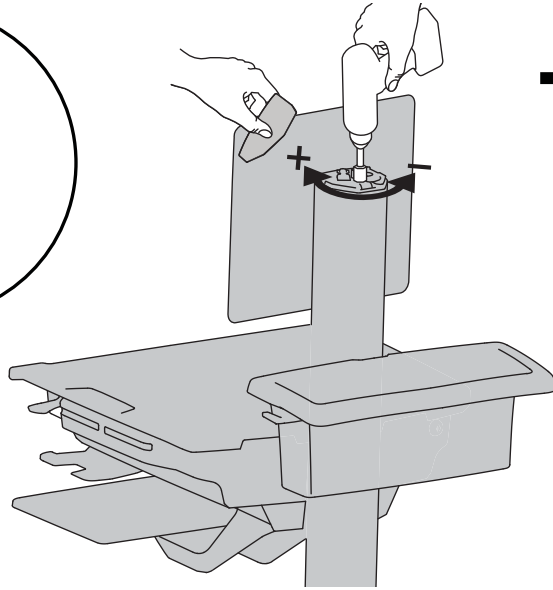
3



### C Cart Lift - Up and Down.



14mm (9/16")



#### Increase Lift Strength

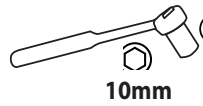
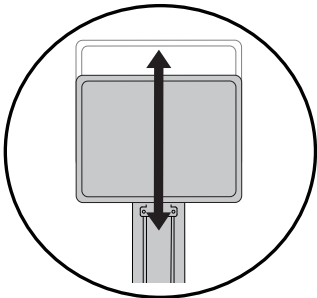
If the mounted weight is too heavy or this product does not stay up when raised, then you'll need to increase Lift Strength:



#### Decrease Lift Strength

If the mounted weight is too light or this product does not stay down when lowered, then you'll need to decrease Lift Strength:

### d Monitor Lift - Up and Down



10mm



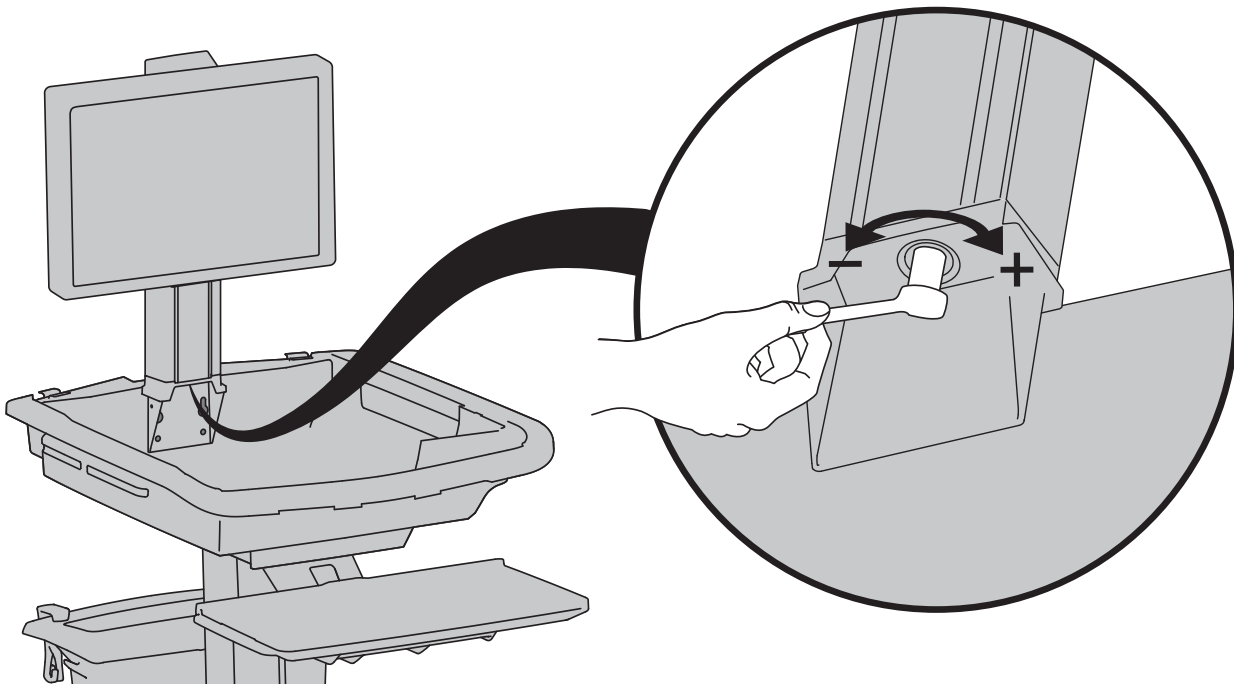
#### Increase Lift Strength

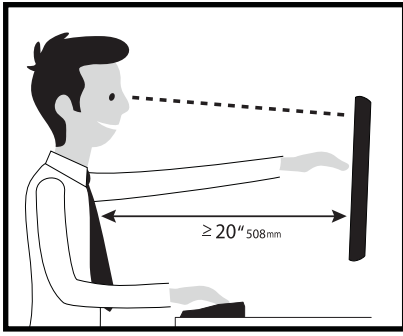
If the mounted weight is too heavy or this product does not stay up when raised, then you'll need to increase Lift Strength:



#### Decrease Lift Strength

If the mounted weight is too light or this product does not stay down when lowered, then you'll need to decrease Lift Strength:





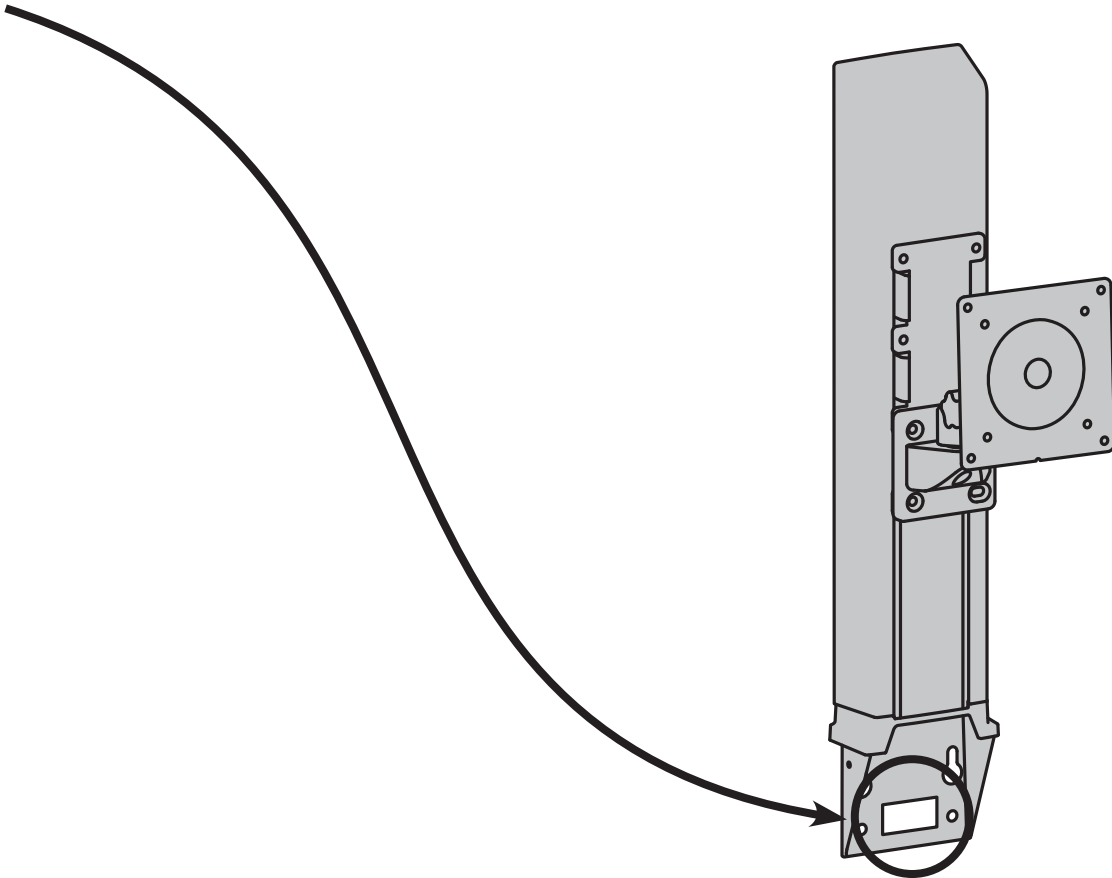
Learn more about ergonomic computer use at: [www.ergotron.com/ergonomics](http://www.ergotron.com/ergonomics)

For Warranty visit: [www.ergotron.com/warranty](http://www.ergotron.com/warranty)

For Service visit: [www.ergotron.com](http://www.ergotron.com)

For local customer care phone numbers visit: <http://contact.ergotron.com>

NOTE: When contacting customer service, reference the serial number.



# ergotron®

  
Constant Force

[www.ergotron.com](http://www.ergotron.com) | USA: 1-800-888-8458 | Europe: +31 (0)33-45 45 600 | China: 400-120-3051 | Japan: [japansupport@ergotron.com](mailto:japansupport@ergotron.com)

© 2016 Ergotron, Inc. All rights reserved.

While Ergotron, Inc. makes every effort to provide accurate and complete information on the installation and use of its products, it will not be held liable for any editorial errors or omissions (including those made in the process of translation from English to another language), or for incidental, special or consequential damages of any nature resulting from furnishing this instruction and performance of equipment in connection with this instruction. Ergotron, Inc. reserves the right to make changes in the product design and/or product documentation without notification to its users. For the most current product information, or to know if this document is available in languages other than those herein, please contact Ergotron. No part of this publication may be reproduced, stored in a retrieval system, or transmitted in any form or by any means, electronic, mechanical, photocopying, recording or otherwise without the prior written consent of Ergotron, Inc., 1181 Trapp Road, Eagan, Minnesota, 55121, USA Patents Pending and Patented U.S. & Foreign. Ergotron is a registered trademark of Ergotron, Inc.