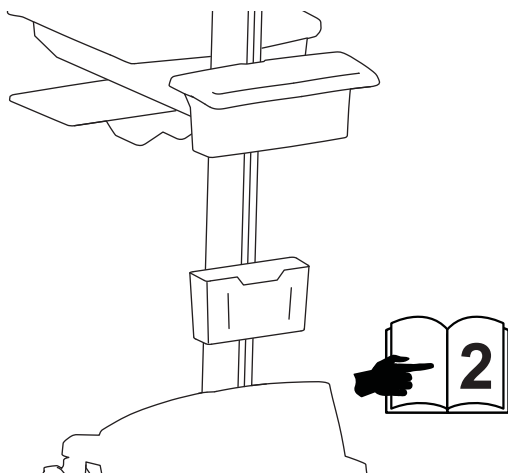


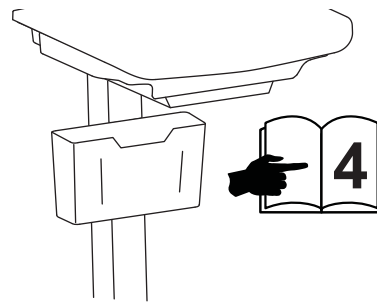
ergotron®

SV DC Power System


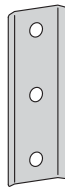
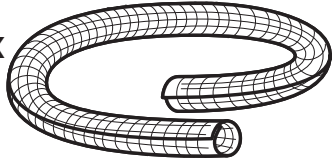




Attach to Rear of Cart



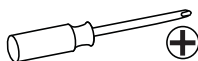
Attach to Front of Cart
(Only for carts with no drawers)



Components

	A	B	C	D
1	2x  M5 x 10mm	2x 	1x 	1x 
2	2x  M6 x 10mm		5x 	1x  M3 x 25mm

Tools Needed



English

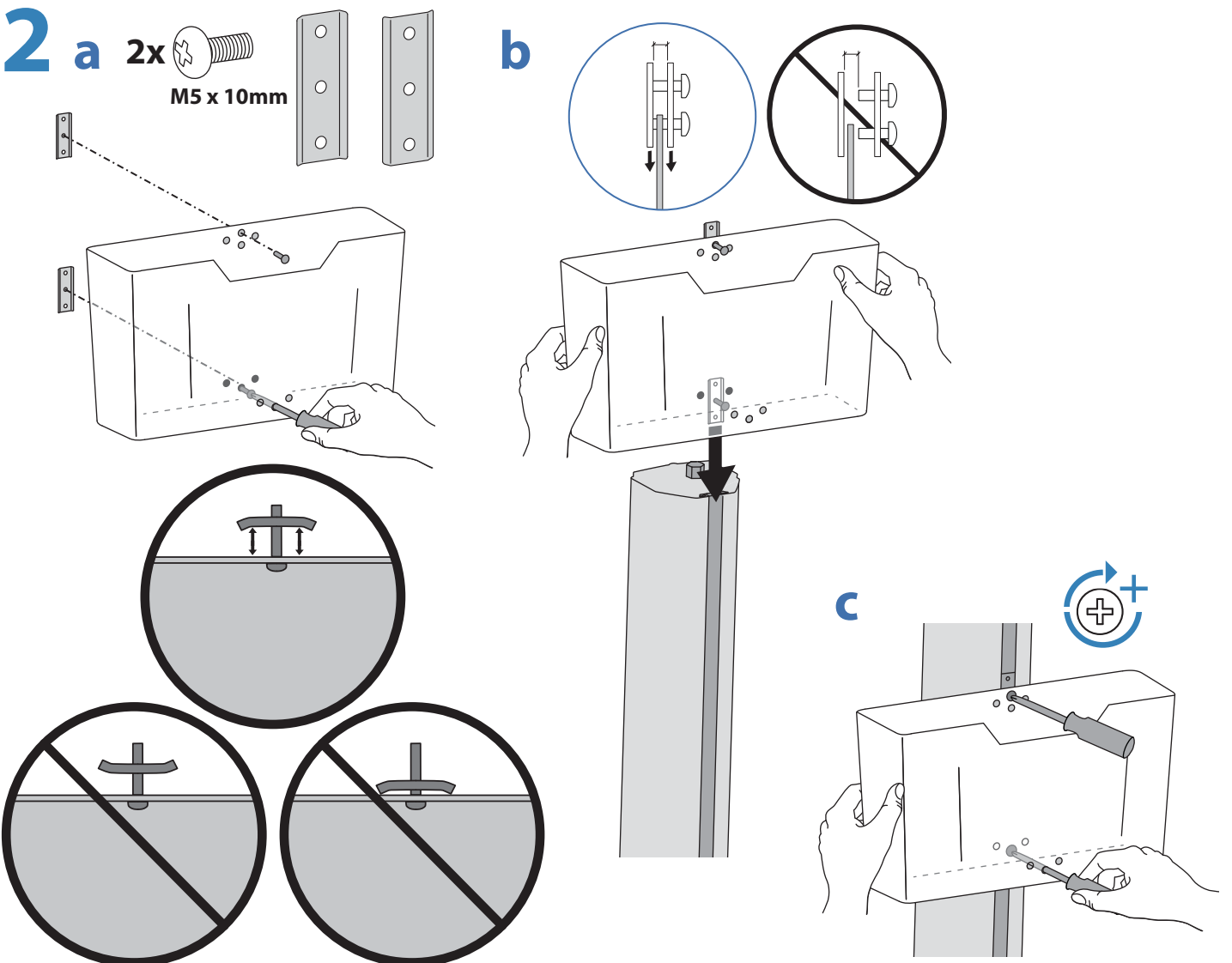
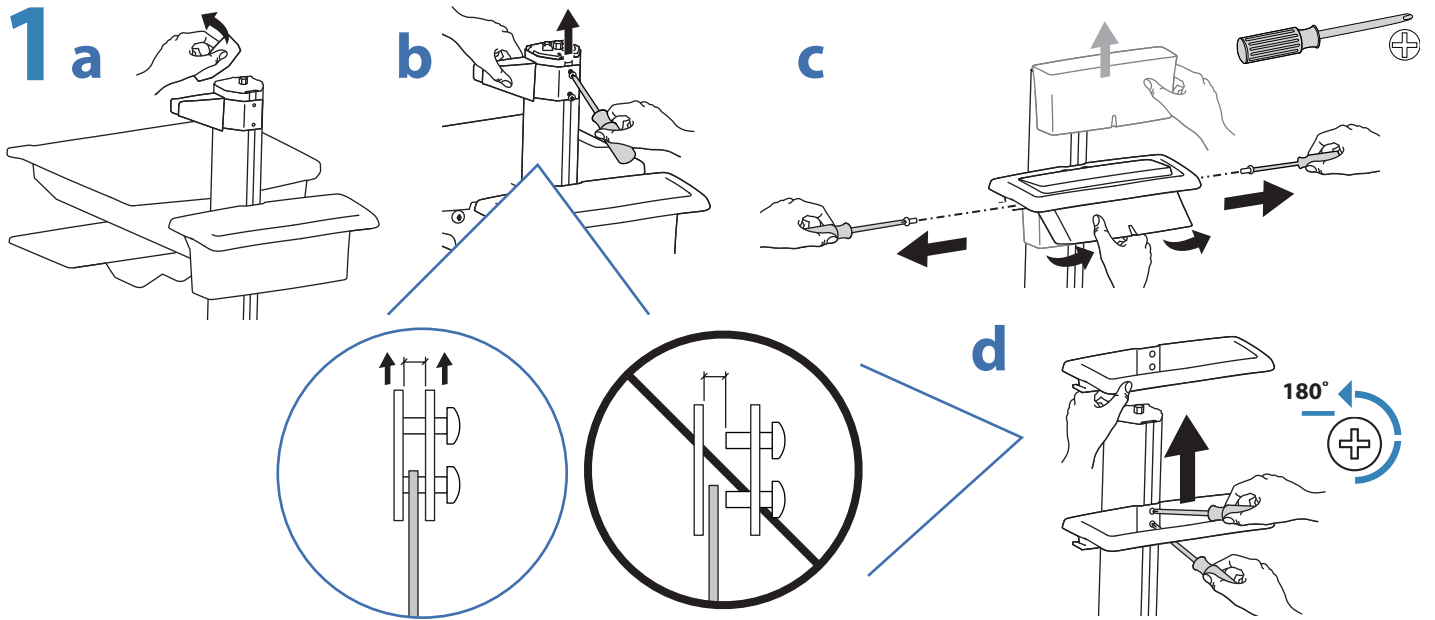
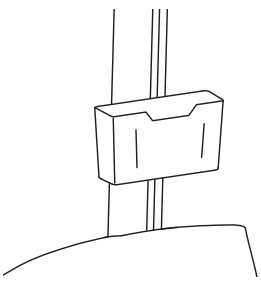


For the latest User Installation Guide please visit: www.ergotron.com

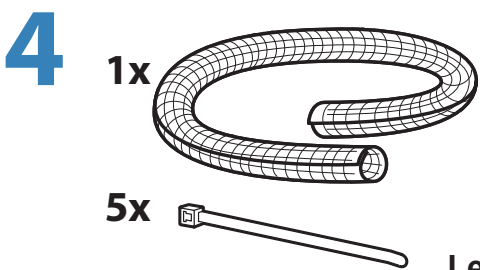
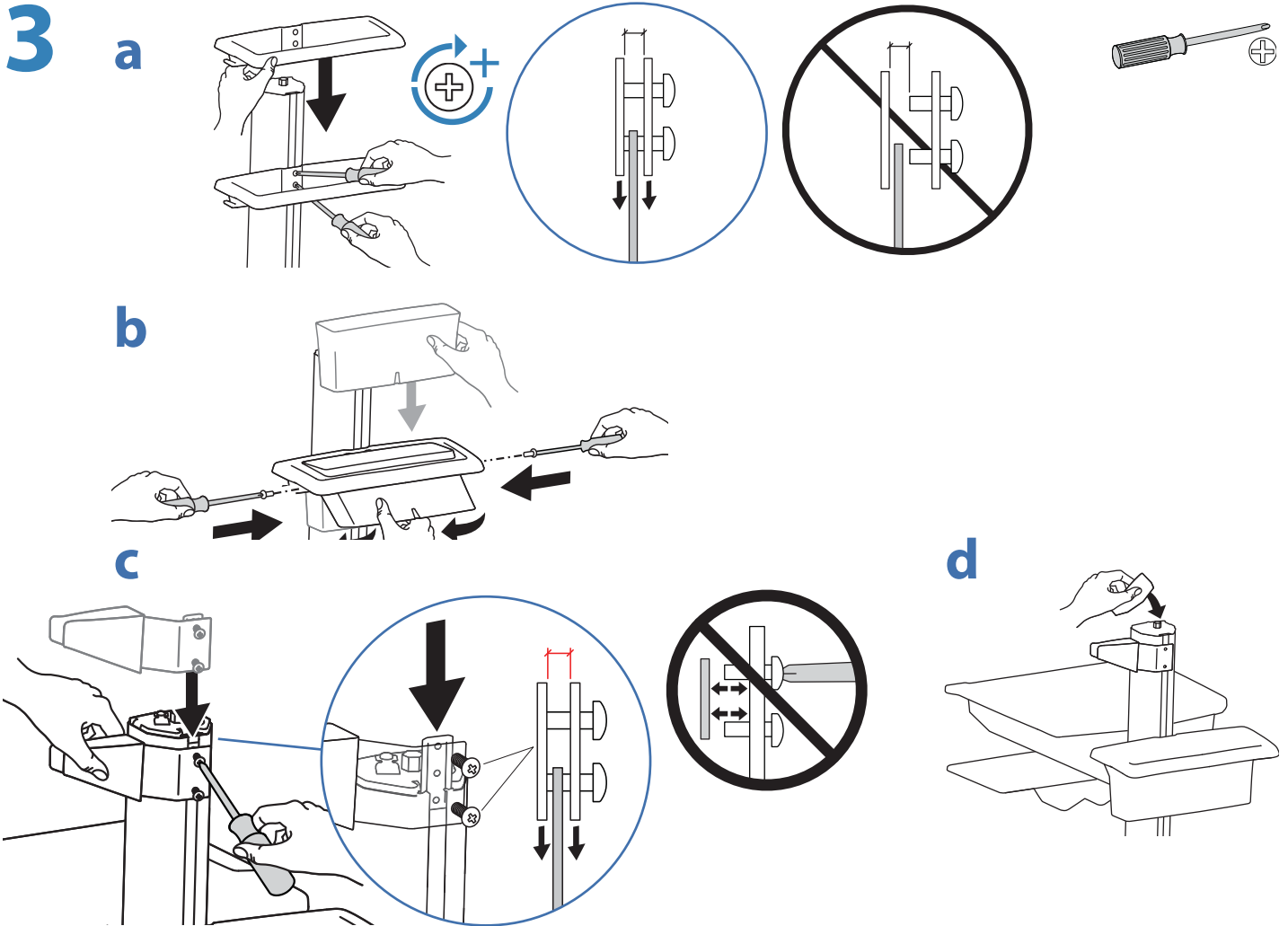
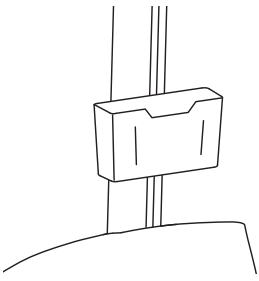
English, Español, Français, Deutsch, Nederlands, Italiano, Svenska, 日本語, 汉语

www.ergotron.com | USA: 1-800-888-8458 | Europe: +31 (0)33-45 45 600 | China: 400-120-3051 | Japan: japansupport@ergotron.com

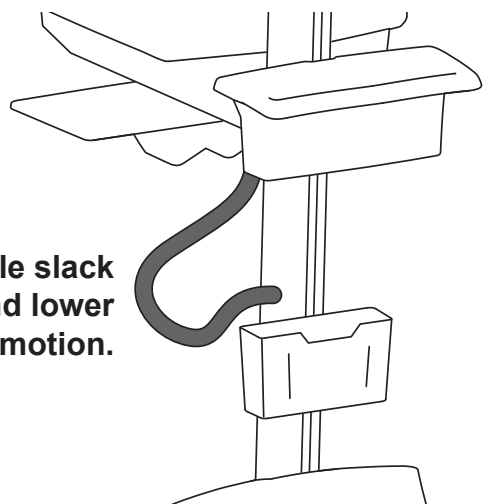
Attach to Rear of Cart



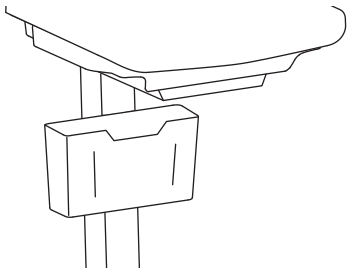
Attach to Rear of Cart



Leave 20" (508 mm) of cable slack to allow cart to raise and lower through its full range of motion.



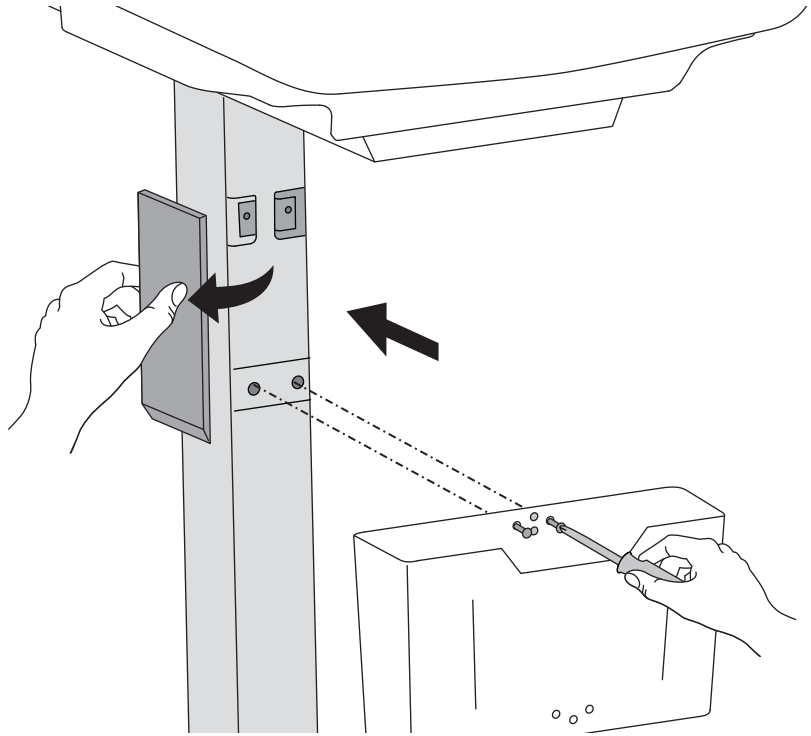
END OF INSTALLATION



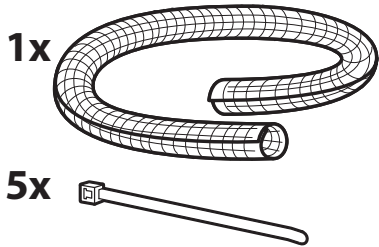
**Attach to Front of Cart
(Only for carts with no drawers)**

1

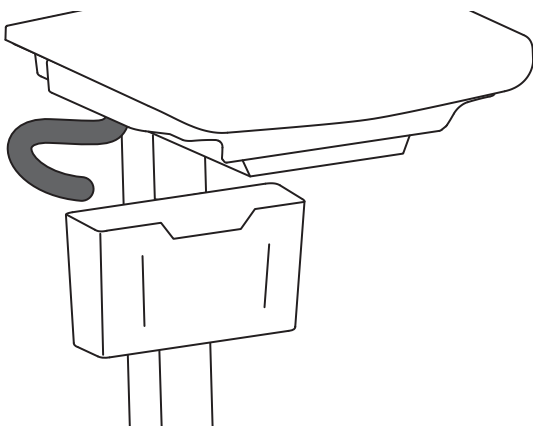
2x  **M6 x 10mm**



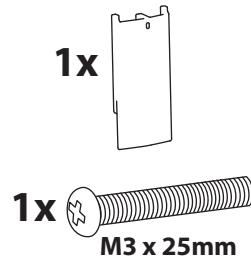
2



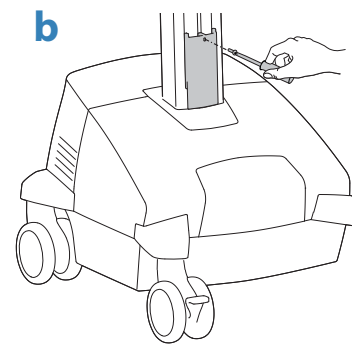
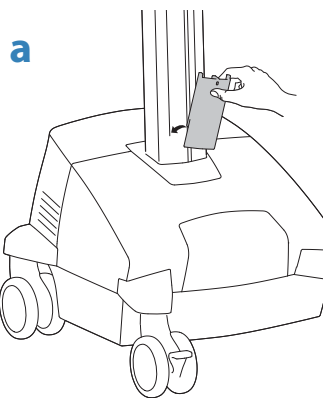
Route cables with wrap and ties.

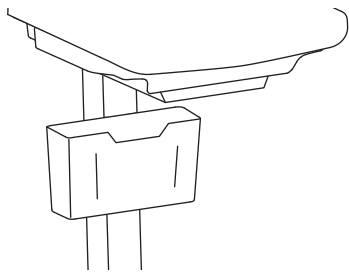


3



**Attach the Travel Stop
bracket to the lift engine
to keep SV DC Power
System from hitting the
base.**





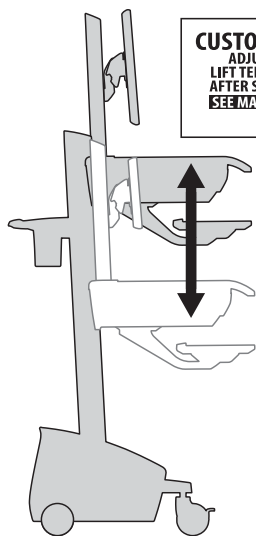
Attach to Front of Cart (Only for carts with no drawers)

3 Adjustment Step

It is important that you adjust this product according to the weight of the mounted equipment as described in the following steps. Any time equipment is added or removed from this product, resulting in a change in the weight of the mounted load, you should repeat these adjustment steps to ensure safe and optimum operation.

Adjustments should move smoothly and easily through the full range of motion and stay where you set it. If adjustments are difficult and do not stay in the desired position, follow the instructions to loosen or tighten the tension to create a smooth, easy adjustment motion. Depending on your product and the adjustment, it may take several turns to notice a difference.

Lift - Up and down



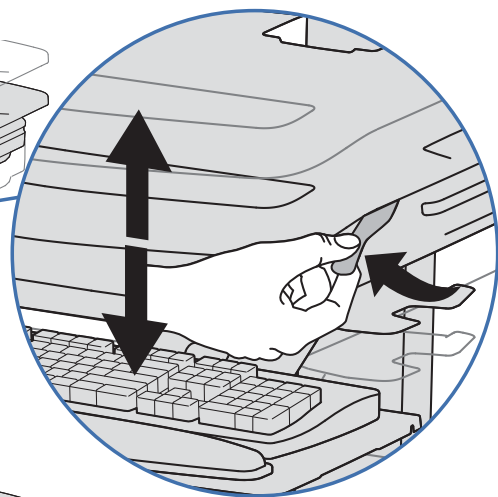
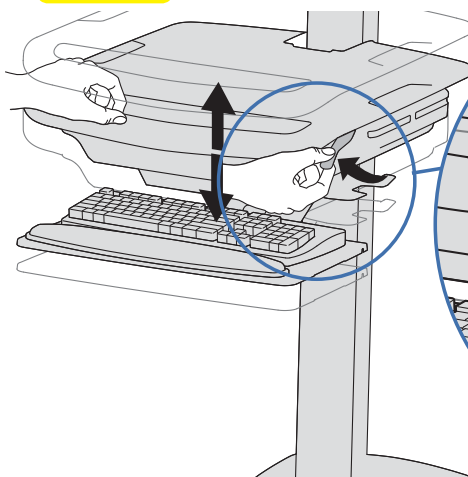
CUSTOMER:
ADJUST
LIFT TENSION
AFTER SET UP
SEE MANUAL



822-421-00

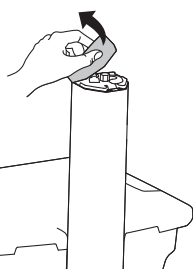


Release Brake to move riser.



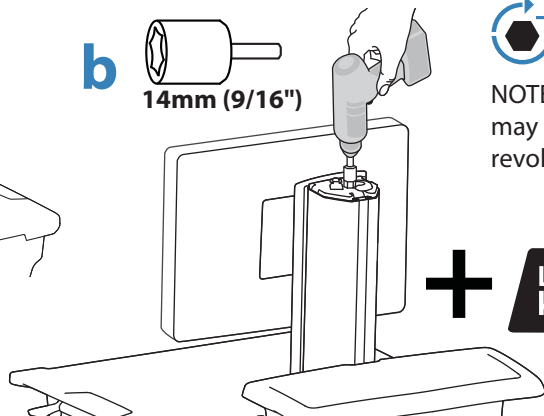
Follow these instructions to tighten or loosen tension.

a



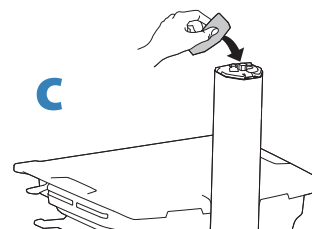
b

14mm (9/16")



NOTE: Adjustment may require 40 - 60 revolutions.

c



Increase Lift Strength

If the mounted weight is too heavy or this product does not stay up when raised, then you'll need to increase Lift Strength:



Decrease Lift Strength

If the mounted weight is too light or this product does not stay down when lowered, then you'll need to decrease Lift Strength:

END OF INSTALLATION

ergotron®

For Warranty visit: www.ergotron.com/warranty

For Service visit: www.ergotron.com

For local customer care phone numbers visit: <http://contact.ergotron.com>

www.ergotron.com | USA: 1-800-888-8458 | Europe: +31 (0)33-45 45 600 | China: 400-120-3051 | Japan: japansupport@ergotron.com

© 2019 Ergotron, Inc. All rights reserved.

While Ergotron, Inc. makes every effort to provide accurate and complete information on the installation and use of its products, it will not be held liable for any editorial errors or omissions (including those made in the process of translation from English to another language), or for incidental, special or consequential damages of any nature resulting from furnishing this instruction and performance of equipment in connection with this instruction. Ergotron, Inc. reserves the right to make changes in the product design and/or product documentation without notification to its users. For the most current product information, or to know if this document is available in languages other than those herein, please contact Ergotron. No part of this publication may be reproduced, stored in a retrieval system, or transmitted in any form or by any means, electronic, mechanical, photocopying, recording or otherwise without the prior written consent of Ergotron, Inc., 1181 Trapp Road, Eagan, Minnesota, 55121, USA Patents Pending and Patented U.S. & Foreign. Ergotron is a registered trademark of Ergotron, Inc.